

## Contents

### American National Standards

<b>Call for Comment on Standards Proposals</b> .....	<b>2</b>
<b>Call for Members (ANS Consensus Bodies)</b> .....	<b>8</b>
<b>Final Actions</b> .....	<b>10</b>
<b>Project Initiation Notification System (PINS)</b> .....	<b>12</b>
<b>ANSI-Accredited Standards Developers Contact Information</b> .....	<b>21</b>

### International Standards

<b>ISO Draft Standards</b> .....	<b>23</b>
<b>ISO Newly Published Standards</b> .....	<b>25</b>
<b>Registration of Organization Names in the U.S.</b> .....	<b>27</b>
<b>Proposed Foreign Government Regulations</b> .....	<b>27</b>
<b>Information Concerning</b> .....	<b>28</b>

## American National Standards

### Call for comment on proposals listed

This section solicits public comments on proposed draft new American National Standards, including the national adoption of ISO and IEC standards as American National Standards, and on proposals to revise, reaffirm or withdraw approval of existing American National Standards. A draft standard is listed in this section under the ANSI-accredited standards developer (ASD) that sponsors it and from whom a copy may be obtained. Comments in connection with a draft American National Standard must be submitted in writing to the ASD no later than the last day of the comment period specified herein. Such comments shall be specific to the section(s) of the standard under review and include sufficient detail so as to enable the reader to understand the commenter's position, concerns and suggested alternative language, if appropriate. Please note that the ANSI Executive Standards Council (ExSC) has determined that an ASD has the right to require that interested parties submit public review comments electronically, in accordance with the developer's procedures.

#### Ordering Instructions for "Call-for-Comment" Listings

1. **Order from the organization indicated for the specific proposal.**
2. **Use the full identification in your order, including the BSR prefix; for example, Electric Fuses BSR/SAE J554.**
3. **Include remittance with all orders.**
4. **BSR proposals will not be available after the deadline of call for comment.**

Comments should be addressed to the organization indicated, with a copy to the Board of Standards Review, American National Standards Institute, 25 West 43rd Street, New York, NY 10036. Fax: 212-840-2298; e-mail: [psa@ansi.org](mailto:psa@ansi.org)

\* Standard for consumer products

## Comment Deadline: April 28, 2013

### ASHRAE (American Society of Heating, Refrigerating and Air-Conditioning Engineers, Inc.)

#### Addenda

BSR/ASHRAE Addendum 55r-201x, Thermal Environmental Conditions for Human Occupancy (addenda to ANSI/ASHRAE Standard 55-2010)

This proposed addendum adds a requirement that design calculations shall use generally accepted engineering standards. The following definition is reproduced from ASHRAE/IES Standard 90.1-2010 for the convenience of reviewers: generally accepted engineering standard: a specification, rule, guide, or procedure in the field of engineering, or related thereto, recognized and accepted as authoritative.

[Click here to view these changes in full](#)

Send comments (with copy to [psa@ansi.org](mailto:psa@ansi.org)) to: Online Comment Database at <http://www.ashrae.org/standards-research-technology/public-review-drafts>

### ASHRAE (American Society of Heating, Refrigerating and Air-Conditioning Engineers, Inc.)

#### Addenda

BSR/ASHRAE/IES Addendum cv to Standard 90.1-2010, Energy Standard for Buildings Except Low-Rise Residential Buildings (addenda to ANSI/ASHRAE/IESNA Standard 90.1-2010)

This Addendum develops baseline energy use guidance for Public Assembly spaces toward assessing energy performance achievement of a proposed building. Public Assembly spaces are typically designed and operated quite differently than the surrounding building that supports these spaces.

[Click here to view these changes in full](#)

Send comments (with copy to [psa@ansi.org](mailto:psa@ansi.org)) to: Online Comment Database at <http://www.ashrae.org/standards-research-technology/public-review-drafts>

### ASHRAE (American Society of Heating, Refrigerating and Air-Conditioning Engineers, Inc.)

#### Addenda

BSR/ASHRAE/USGBC/IES Addendum ad to Standard 189.1-2013, Standard for the Design of High-Performance Green Buildings Except Low-Rise Residential Buildings (addenda to ANSI/ASHRAE/USGBC/IES 189.1-2011)

This addendum adds new language requiring a plan for the formal maintenance of roofs.

[Click here to view these changes in full](#)

Send comments (with copy to [psa@ansi.org](mailto:psa@ansi.org)) to: Bert Etheredge, 404-636-8400, [betheredge@ashrae.org](mailto:betheredge@ashrae.org)

### ASHRAE (American Society of Heating, Refrigerating and Air-Conditioning Engineers, Inc.)

#### Addenda

BSR/ASHRAE/USGBC/IES Addendum ae to Standard 189.1-2013, Standard for the Design of High-Performance Green Buildings Except Low-Rise Residential Buildings (addenda to ANSI/ASHRAE/USGBC/IES 189.1-2011)

This addendum allows the California Air Resources Board (CARB) Suggested Control Measure for Architectural Coatings (SCM) as an alternative compliance path to SCAQMD Rule 1113 for the VOC content requirements of paints and coatings.

[Click here to view these changes in full](#)

Send comments (with copy to [psa@ansi.org](mailto:psa@ansi.org)) to: Bert Etheredge, 404-636-8400, [betheredge@ashrae.org](mailto:betheredge@ashrae.org)

### ASHRAE (American Society of Heating, Refrigerating and Air-Conditioning Engineers, Inc.)

#### Addenda

BSR/ASHRAE/USGBC/IES Addendum af to Standard 189.1-2013, Standard for the Design of High-Performance Green Buildings Except Low-Rise Residential Buildings (addenda to ANSI/ASHRAE/USGBC/IES 189.1-2011)

This addendum removes the motor efficiencies within the standard, citing minimum motor efficiencies included in ANSI/ASHRAE/IES Standard 90.1-2010, Energy Standard for Buildings Except Low-Rise Residential Buildings.

[Click here to view these changes in full](#)

Send comments (with copy to [psa@ansi.org](mailto:psa@ansi.org)) to: Bert Etheredge, 404-636-8400, [betheredge@ashrae.org](mailto:betheredge@ashrae.org)

### ASHRAE (American Society of Heating, Refrigerating and Air-Conditioning Engineers, Inc.)

#### Addenda

BSR/ASHRAE/USGBC/IES Addendum ag to Standard 189.1-2013, Standard for the Design of High-Performance Green Buildings Except Low-Rise Residential Buildings (addenda to ANSI/ASHRAE/USGBC/IES 189.1-2011)

This addendum updates definitions by referencing ANSI/ASHRAE/IES Standard 90.1-2010, Energy Standard for Buildings Except Low-Rise Residential Buildings.

[Click here to view these changes in full](#)

Send comments (with copy to [psa@ansi.org](mailto:psa@ansi.org)) to: Bert Etheredge, 404-636-8400, [betheredge@ashrae.org](mailto:betheredge@ashrae.org)

### ASHRAE (American Society of Heating, Refrigerating and Air-Conditioning Engineers, Inc.)

#### Addenda

BSR/ASHRAE/USGBC/IES Addendum ah to Standard 189.1-2013, Standard for the Design of High-Performance Green Buildings Except Low-Rise Residential Buildings (addenda to ANSI/ASHRAE/USGBC/IES 189.1-2011)

This addendum adds some batteries and electronics to recycling requirements.

[Click here to view these changes in full](#)

Send comments (with copy to [psa@ansi.org](mailto:psa@ansi.org)) to: Bert Etheredge, 404-636-8400, [betheredge@ashrae.org](mailto:betheredge@ashrae.org)

### ASHRAE (American Society of Heating, Refrigerating and Air-Conditioning Engineers, Inc.)

#### Addenda

BSR/ASHRAE/USGBC/IES Addendum m to Standard 189.1-2013, Standard for the Design of High-Performance Green Buildings Except Low-Rise Residential Buildings (addenda to ANSI/ASHRAE/USGBC/IES 189.1-2011)

This addendum adds lighting quality requirements, recognizing that following good lighting practices is part of creating a high-performance building.

[Click here to view these changes in full](#)

Send comments (with copy to [psa@ansi.org](mailto:psa@ansi.org)) to: Bert Etheredge, 404-636-8400, [betheredge@ashrae.org](mailto:betheredge@ashrae.org)

## ASHRAE (American Society of Heating, Refrigerating and Air-Conditioning Engineers, Inc.)

### Addenda

BSR/ASHRAE/USGBC/IES Addendum w to Standard 189.1-2013, Standard for the Design of High-Performance Green Buildings Except Low-Rise Residential Buildings (addenda to ANSI/ASHRAE/USGBC/IES 189.1-2011)

This addendum provides specific bicycle parking design requirements.

[Click here to view these changes in full](#)

Send comments (with copy to [psa@ansi.org](mailto:psa@ansi.org)) to: Bert Etheredge, 404-636-8400, [betheredge@ashrae.org](mailto:betheredge@ashrae.org)

## OPEI (Outdoor Power Equipment Institute)

### Revision

BSR/OPEI B175.2-201x, Outdoor Power Equipment - Internal Combustion Engine-Powered Handheld and Backpack Blowers and Blower-Vacuums - Safety Requirements and Performance Testing Procedures (revision of ANSI/OPEI B175.2-2012)

Revisions made to Scope, Probe Test for Power Driven Components, Probe Test for Hot Surfaces, UV Resistance, and the addition of Figure 10.

[Click here to view these changes in full](#)

Send comments (with copy to [psa@ansi.org](mailto:psa@ansi.org)) to: Kathleen Woods, (703) 549-7600, ext. 24, [Kwoods@opei.org](mailto:Kwoods@opei.org)

## UL (Underwriters Laboratories, Inc.)

### Revision

BSR/UL 1066-201x, Standard for Safety for Low-Voltage AC and DC Power Circuit Breakers Used in Enclosures (revision of ANSI/UL 1066-2012)

(1) Revision to include four-pole circuit breakers to the scope.

[Click here to view these changes in full](#)

Send comments (with copy to [psa@ansi.org](mailto:psa@ansi.org)) to: Patricia Sena, (919) 549-1636, [patricia.a.sena@ul.com](mailto:patricia.a.sena@ul.com)

## UL (Underwriters Laboratories, Inc.)

### Revision

BSR/UL 1081-201x, Standard for Safety for Swimming Pool Pumps, Filters, and Chlorinators (revision of ANSI/UL 1081-2013a)

Updates important safety instructions.

[Click here to view these changes in full](#)

Send comments (with copy to [psa@ansi.org](mailto:psa@ansi.org)) to: Barbara Davis, (408) 754-6722, [Barbara.J.Davis@ul.com](mailto:Barbara.J.Davis@ul.com)

## Comment Deadline: May 13, 2013

## APA (APA - The Engineered Wood Association)

### New Standard

BSR/APA PRS 610.1-201x, Standard for Performance-Rated Structural Insulated Panels in Wall Applications (new standard)

This standard covers manufacturing, qualification, quality assurance, and trademarking requirements for structural insulated panels used in wall applications.

Single copy price: Free

Obtain an electronic copy from: [borjen.yeh@apawood.org](mailto:borjen.yeh@apawood.org)

Order from: Borjen Yeh, (253) 620-7467, [borjen.yeh@apawood.org](mailto:borjen.yeh@apawood.org)

Send comments (with copy to [psa@ansi.org](mailto:psa@ansi.org)) to: Same

## ATIS (Alliance for Telecommunications Industry Solutions)

### Revision

BSR ATIS 0600316-201x, Electrical Protection of Telecommunications Outside Plant (revision of ANSI ATIS 0600316-2008)

Telecommunications outside plant, by nature of its outdoor location, and frequent joint-use or joint right-of-way installations with power utility facilities, is often subject to disturbances from lightning and ac power line faults. This standard provides the minimum electrical protection, grounding and bonding criteria necessary to mitigate the disruptive and damaging effects of lightning and ac power faults. It is intended to serve as a guide for designers of such facilities in the application of electrical protection, grounding and bonding, as a function of the electrical environment.

Single copy price: \$110.00

Obtain an electronic copy from: [kconn@atis.org](mailto:kconn@atis.org)

Order from: Kerriane Conn, (202) 434-8841, [kconn@atis.org](mailto:kconn@atis.org); [jpemard@atis.org](mailto:jpemard@atis.org)

Send comments (with copy to [psa@ansi.org](mailto:psa@ansi.org)) to: Same

## ATIS (Alliance for Telecommunications Industry Solutions)

### Revision

BSR ATIS 0600334-201x, Electrical Protection of Communications Towers and Associated Structures (revision of ANSI ATIS 0600334-2008)

Communications towers and the associated structures, by nature of their outdoor location, are often subject to disturbances from lightning. This standard provides the minimum electrical protection, grounding, and bonding criteria necessary to mitigate the disruptive and damaging effects of lightning. It is intended to serve as a guide for designers or users of such facilities in the application of electrical protection, grounding, and bonding.

Single copy price: \$110.00

Obtain an electronic copy from: [kconn@atis.org](mailto:kconn@atis.org)

Order from: Kerriane Conn, (202) 434-8841, [kconn@atis.org](mailto:kconn@atis.org); [jpemard@atis.org](mailto:jpemard@atis.org)

Send comments (with copy to [psa@ansi.org](mailto:psa@ansi.org)) to: Same

## AWS (American Welding Society)

### Revision

BSR/AWS B5.17-201x, Specification for the Qualification of Welding Fabricators (revision of ANSI/AWS B5.17-2008)

This standard establishes the minimum requirements necessary to qualify as a Welding Fabricator. The qualification is determined based on an examination of the implementation of the fabricator's quality manual to verify compliance to the requirements defined in this specification. This document also defines the Welding Fabricator's functions and lists the minimum reference materials that the Welding Fabricator should possess.

Single copy price: \$25.00

Obtain an electronic copy from: [roneill@aws.org](mailto:roneill@aws.org)

Order from: Rosalinda O'Neill, (305) 443-9353, [roneill@aws.org](mailto:roneill@aws.org); [adavis@aws.org](mailto:adavis@aws.org)

Send comments (with copy to [psa@ansi.org](mailto:psa@ansi.org)) to: Andrew Davis, (305) 443-9353, Ext. 466, [adavis@aws.org](mailto:adavis@aws.org); [roneill@aws.org](mailto:roneill@aws.org)

**AWS (American Welding Society)****Revision**

BSR/AWS C1.5-201x, Specification for the Qualification of Resistance Welding Technicians (revision of ANSI/AWS C1.5-2008)

This specification establishes the requirements for qualification of Resistance Welding Technicians (RWT) employed in the welding industry. The minimum experience, examination, application, qualification, and requalification requirements and methods are defined in this standard. This specification is a method for technicians to establish a record of their qualification and abilities in welding industry work such as development of machine trouble shooting, processes controls, quality standards, problem solving, etc.

Single copy price: \$25.00

Obtain an electronic copy from: roneill@aws.org

Order from: Rosalinda O'Neill, (305) 443-9353, roneill@aws.org; adavis@aws.org

Send comments (with copy to psa@ansi.org) to: Andrew Davis, (305) 443-9353, Ext. 466, adavis@aws.org; roneill@aws.org

**CSA (CSA Group)****Revision**

BSR Z21.42-201x, Standard for Gas-Fired Illuminating Appliances (revision of ANSI Z21.42-1993 (R2012))

Details test and examination criteria for illuminating appliances for use with natural gas, manufactured gas, mixed gas, and liquefied petroleum gases for indoor or outdoor installations.

Single copy price: \$175.00

Obtain an electronic copy from: cathy.rake@csagroup.org

Order from: Cathy Rake, (216) 524-4990, cathy.rake@csagroup.org

Send comments (with copy to psa@ansi.org) to: Same

**CSA (CSA Group)****Revision**

BSR Z21.58-201x, Standard for Outdoor Cooking Gas Appliances (Same as CSA 1.6) (revision of ANSI Z21.58-2006 (R2012), ANSI Z21.58a-2008, and ANSI Z21.58b-2012)

Details test and examination criteria for portable or post-mounted outdoor cooking gas appliances having top or surface units or broilers units or combinations thereof that are (1) for use with natural gas, manufactured gas, mixed gas, liquefied petroleum gases or LP gas-air mixtures on a fixed fuel piping systems, or (2) for connection to a self-contained liquefied petroleum gas supply system.

Single copy price: \$175.00

Obtain an electronic copy from: cathy.rake@csagroup.org

Order from: Cathy Rake, (216) 524-4990, cathy.rake@csagroup.org

Send comments (with copy to psa@ansi.org) to: Same

**CSA (CSA Group)****Revision**

BSR Z21.89-201x, Standard for Outdoor Cooking Specialty Gas Appliances (Same as CSA 1.18) (revision of ANSI Z21.89-2007 (R2012), ANSI Z21.89a-2008, and ANSI Z21.89b-2012)

Details test and examination criteria for portable outdoor specialty gas appliances (fryer/boiler, smoker, tabletop grill, or any combination). Appliance may be connected to a fixed fuel piping system or a self-contained liquefied petroleum gas or propane gas supply system of a single cylinder with a maximum size of 20 pounds (9.1 kg) of fuel.

Single copy price: \$175.00

Obtain an electronic copy from: cathy.rake@csagroup.org

Order from: Cathy Rake, (216) 524-4990, cathy.rake@csagroup.org

Send comments (with copy to psa@ansi.org) to: Same

**EOS/ESD (ESD Association, Inc.)****Revision**

BSR/ESD S1.1-201x, ESD Association Standard for Protection of Electrostatic Discharge Susceptible Items - Wrist Straps (revision of ANSI/ESD S1.1-1998 (R2006))

This standard is intended for testing wrist straps and wrist strap systems used for the grounding of personnel engaged in working with ESD sensitive assemblies and devices. It does not address monitoring systems or garments.

Single copy price: 75.00 (ESD members), \$105.00 (List) [Hard Cover]; \$100.00 (ESD members), \$130.00 (List) [Soft Cover]

Obtain an electronic copy from: cearl@esda.org

Order from: Christina Earl, (315) 339-6937, cearl@esda.org

Send comments (with copy to psa@ansi.org) to: Same

**FCI (Fluid Controls Institute)****New Standard**

BSR/FCI 97-1-201x, Standard for Production Testing of Secondary Pressure Drainers (new standard)

This standard specifies production tests that are considered applicable to secondary pressure drainers.

Single copy price: Free

Obtain an electronic copy from: fci@fluidcontrolsinstitute.org

Order from: Leslie Schraff, (216) 241-7333, fci@fluidcontrolsinstitute.org

Send comments (with copy to psa@ansi.org) to: same



## ITI (INCITS) (InterNational Committee for Information Technology Standards)

### *New National Adoption*

INCITS/ISO/IEC 19794-11:2013, Information technology - Biometric data interchange formats - Part 11: Signature/sign processed dynamic data (identical national adoption of ISO/IEC 19794-11:2013)

For the purpose of biometric comparison, ISO/IEC 19794-11:2013 specifies a data interchange format for processed signature/sign behavioral data extracted from a time series, captured using devices such as digitizing tablets, pen-based computing devices, or advanced pen systems. The data interchange format is generic, in that it may be applied and used in a wide range of application areas where handwritten signs or signature/signs are involved. No application-specific requirements or features are addressed in ISO/IEC 19794-11:2013.

Single copy price: \$126.00

Obtain an electronic copy from: <http://www.incits.org> or <http://webstore.ansi.org>

Order from: Global Engineering Documents, (800) 854-7179, [www.global.ih.com](http://www.global.ih.com)

Send comments (with copy to [psa@ansi.org](mailto:psa@ansi.org)) to: Barbara Bennett, (202) 626-5743, [bbennett@itic.org](mailto:bbennett@itic.org); [rporter@itic.org](mailto:rporter@itic.org)

## ITI (INCITS) (InterNational Committee for Information Technology Standards)

### *Reaffirmation*

INCITS/ISO/IEC 23270-2008 (R201x), Information technology - C# Language Specification (reaffirmation of INCITS/ISO/IEC 23270-2008)

This International Standard specifies the form and establishes the interpretation of programs written in the C# programming language. It specifies: The representation of C# programs; The syntax and constraints of the C# language; The semantic rules for interpreting C# programs; and The restrictions and limits imposed by a conforming implementation of C#.

Single copy price: \$30.00

Obtain an electronic copy from: <http://www.incits.org> or <http://webstore.ansi.org>

Order from: Global Engineering Documents, (800) 854-7179, [www.global.ih.com](http://www.global.ih.com)

Send comments (with copy to [psa@ansi.org](mailto:psa@ansi.org)) to: Deborah Spittle, (202) 626-5746, [dspittle@itic.org](mailto:dspittle@itic.org)

## NEMA (ASC C8) (National Electrical Manufacturers Association)

### *New Standard*

BSR/NEMA WC 66/ICEA S-116-732-201x, Standard for Category 6 and 6A, 100 Ohm Individually Unshielded Twisted Pairs, Indoor Cables (With or Without an Overall Shield) for Use in LAN Communication Wiring Systems (new standard)

This standards publication covers the minimum performance requirements for cables up to four pairs, with transmission characteristics specified up to 250 MHz for Category 6 cables and up to 500 MHz for Category 6A cables. These Category cables are intended for voice, text, data, video and image transmission and low voltage power supply (POE & POE+). The cables are categorized by electrical transmission characteristics based on existing system requirements and projected application needs determined by IEEE 802.3.

Single copy price: \$101.00

Obtain an electronic copy from: [http://workspaces.nema.org/ansi/stds/Shared%20Documents/C8/S-116-732\\_WC%2066-2012/\(A\)%20ANSI%20Forms%20and%20Information%20to%20ANSI/S-116-732-2012%20-Revised%20with%20NEMA%20Ballot%20comments.doc](http://workspaces.nema.org/ansi/stds/Shared%20Documents/C8/S-116-732_WC%2066-2012/(A)%20ANSI%20Forms%20and%20Information%20to%20ANSI/S-116-732-2012%20-Revised%20with%20NEMA%20Ballot%20comments.doc)

Order from: Ryan Franks, (703) 841-3271, [ryan.franks@nema.org](mailto:ryan.franks@nema.org)

Send comments (with copy to [psa@ansi.org](mailto:psa@ansi.org)) to: Same

## NEMA (National Electrical Manufacturers Association)

### *Revision*

BSR/NEMA PB 1.1-201x, General Instructions for Proper Handling, Installation, Operation, and Maintenance of Panelboards Rated 600 Volts or less (revision of ANSI/NEMA PB 1.1-2007)

This publication covers single panelboards or groups of panel units suitable for assembly in the form of single panelboards, including buses, and with or without switches or automatic overload protective devices (fuses or circuit breakers), or both. These units are used in the distribution of electricity at 600 volts and less with: 1600-ampere mains or less; or 1200-ampere branch circuits or less. Specifically excluded are live-front panelboards, panelboards employing cast enclosures for special service conditions, and panelboards designed primarily for residential and light commercial service equipment.

Single copy price: \$39.00

Obtain an electronic copy from: [gary.macfadden@nema.org](mailto:gary.macfadden@nema.org)

Order from: Gary MacFadden, (703) 841 3253, [gary.macfadden@nema.org](mailto:gary.macfadden@nema.org)

Send comments (with copy to [psa@ansi.org](mailto:psa@ansi.org)) to: Same

## NEMA (National Electrical Manufacturers Association)

### *Revision*

BSR/NEMA PB 2.1-201x, General Instructions for Proper Handling, Installation, Operation, and Maintenance of Deadfront Distribution Switchboards Rated 600 Volts or Less (revision of ANSI/NEMA PB 2.1-2007)

This publication covers floor-mounted deadfront switchboards that consist of an enclosure, molded case, and low-voltage power circuit breakers, fusible or non-fusible switches, instruments, and metering, monitoring, or control equipment, with associated interconnections and supporting structures. These units are used in the distribution of electricity at: (a) 600 volts and less, or (b) 6000 amperes or less.

Single copy price: \$39.00

Obtain an electronic copy from: [gary.macfadden@nema.org](mailto:gary.macfadden@nema.org)

Order from: Gary MacFadden, (703) 841 3253, [gary.macfadden@nema.org](mailto:gary.macfadden@nema.org)

Send comments (with copy to [psa@ansi.org](mailto:psa@ansi.org)) to: Same

## TIA (Telecommunications Industry Association)

### *Withdrawal*

ANSI/TIA 102.AAAC-2001 (R2007), Project 25 Digital Land Mobile Radio, Conformance Test for the P25 DES Encryption Protocol (withdrawal of ANSI/TIA 102.AAAC-2001 (R2007))

DES is no longer supported as a standard encryption algorithm within the TIA-102 standards; hence, TIA-102.AAAC should be withdrawn.

Single copy price: \$163.00

Obtain an electronic copy from: [standards@tiaonline.org](mailto:standards@tiaonline.org)

Order from: Telecommunications Industry Association (TIA), [standards@tiaonline.org](mailto:standards@tiaonline.org)

Send comments (with copy to [psa@ansi.org](mailto:psa@ansi.org)) to: [standards@tiaonline.org](mailto:standards@tiaonline.org)

**UL (Underwriters Laboratories, Inc.)****Reaffirmation**

BSR/UL 6A-2008 (R201x), Standard for Safety for Electrical Rigid Metal Conduit - Aluminum, Red Brass, and Stainless Steel (reaffirmation of ANSI/UL 6A-2008)

Reaffirmation of current ANS, which covers aluminum (ERMC-A), red brass (ERMC-RB), and stainless steel (ERMC-SS) electrical rigid metal conduit, nipples, elbows, and couplings for use as metal raceway for the installation of wires and cables in accordance with CSA C22.1, Canadian Electrical Code, Part 1, NOM-001-SEDE, Standard for Electrical Installations, and NFPA 70, National Electrical Code.

Single copy price: Contact comm2000 for pricing and delivery options

Obtain an electronic copy from: <http://www.comm-2000.com>

Order from: comm2000

Send comments (with copy to [psa@ansi.org](mailto:psa@ansi.org)) to: Paul Lloret, (408) 754-6618, [Paul.E.Lloret@ul.com](mailto:Paul.E.Lloret@ul.com)

**UL (Underwriters Laboratories, Inc.)****Revision**

BSR/UL 817-201x, Standard for Safety for Cord Sets and Power-Supply Cords (revision of ANSI/UL 817-2012)

The proposed binational standard for cord sets and power-supply cords.

Single copy price: Contact comm2000 for pricing and delivery options

Obtain an electronic copy from: <http://www.comm-2000.com>

Order from: comm2000

Send comments (with copy to [psa@ansi.org](mailto:psa@ansi.org)) to: Camille Alma, (631) 546-2688, [Camille.A.Alma@ul.com](mailto:Camille.A.Alma@ul.com)

**UL (Underwriters Laboratories, Inc.)****Revision**

BSR/UL 1083-201X, Standard for Safety for Household Electric Skillet and Frying-Type Appliances (Proposals dated March 29, 2013) (revision of ANSI/UL 1083-2011)

Addition of requirements for large-item deep fryers and large-item cooker/fryers.

Single copy price: Contact comm2000 for pricing and delivery options

Obtain an electronic copy from: <http://www.comm-2000.com>

Order from: comm2000

Send comments (with copy to [psa@ansi.org](mailto:psa@ansi.org)) to: Linda Phinney, (408) 754-6684, [Linda.L.Phinney@ul.com](mailto:Linda.L.Phinney@ul.com)

**Comment Deadline: May 28, 2013****ANS (American Nuclear Society)****Revision**

BSR/ANS 8.19-201x, Administrative Practices for Nuclear Criticality Safety (revision of ANSI/ANS 8.19-2005)

This standard provides criteria for the administration of a nuclear criticality safety program for operations with fissile materials outside of nuclear reactors in which there exists a potential for nuclear criticality accidents. This standard addresses the responsibilities of management, supervision, and nuclear criticality safety staff. It also addresses operating procedures, nuclear criticality safety evaluations, and materials control.

Single copy price: \$20.00

Obtain an electronic copy from: [scook@ans.org](mailto:scook@ans.org)

Order from: Sue Cook, (708) 579-8210, [orders@ans.org](mailto:orders@ans.org); [scook@ans.org](mailto:scook@ans.org)

Send comments (with copy to [psa@ansi.org](mailto:psa@ansi.org)) to: Patricia Schroeder, (708) 579-8269, [pschroeder@ans.org](mailto:pschroeder@ans.org)

**ASME (American Society of Mechanical Engineers)****Reaffirmation**

BSR/ASME B1.12-1987 (R201x), Class 5 Interference - Fit Thread (reaffirmation of ANSI/ASME B1.12-1987 (R2008))

This Standard provides dimensional tables for external and internal plastic flow interference-fit (Class 5) threads of modified National thread form in the coarse thread series (NC) in sizes 0.250 in. through 1.500 in. This is not the ANSI B1.1, UN thread form. It is intended that designs conforming with this Standard will provide adequate torque conditions which fall within the limits shown in Table 8. The minimum torques are intended to be sufficient to insure that externally threaded members will not loosen in service; the maximum torques establish a ceiling below which seizing, galling, or torsional failure of the externally threaded components is reduced. This Standard provides for the maximum allowable interference. Appendices A, B, C, and D contain useful information that is supplementary to this Standard, such as reprints of the obsolete tentative and alternate Class 5 standards, U.S. Navy ship specifications for elastic interference-fit coarse thread series from 0.250 in. through 2.000 in., U.S. Navy ship specifications for Class 5 Modified, which includes nickel-copper-aluminum alloy external threads, and an interference metal comparison of standard to nonstandard interference-fit threads.

Single copy price: \$40.00

Order from: For Reaffirmations and Withdrawn standards please view our catalog at <http://www.asme.org/kb/standards>

Send comments (with copy to [psa@ansi.org](mailto:psa@ansi.org)) to: Angel Guzman, (212) 591-8018, [guzman@asme.org](mailto:guzman@asme.org)

**ASME (American Society of Mechanical Engineers)****Reaffirmation**

BSR/ASME B1.20.3-1976 (R2008), Dryseal Pipe Threads (Inch)  
(reaffirmation of ANSI/ASME B1.20.3-1976 (R2008))

This standard covers two classes of NPTF Dryseal pipe threads; Class 1 and Class 2. The classes differ only in inspection requirements, with Class 1 threads exactly those standardized in ANSI B2.2-1968 (inspection of root and crest truncation not specified). Class 2 threads are identical to Class 1 threads except that inspection of root and crest truncation is required. For Class 2 threads, direct measurement of crest and root truncation is the referee method. These classes do not apply to other than NPTF Dryseal pipe threads.

Single copy price: \$35.00

Order from: For Reaffirmations and Withdrawn standards please view our catalog at <http://www.asme.org/kb/standards>

Send comments (with copy to [psa@ansi.org](mailto:psa@ansi.org)) to: Angel Guzman, (212) 591-8018, [guzman@asme.org](mailto:guzman@asme.org)

**ASME (American Society of Mechanical Engineers)****Reaffirmation**

BSR/ASME B1.20.7-1991 (R201x), Hose Coupling Screw Threads (Inch)  
(reaffirmation of ANSI/ASME B1.20.7-1991 (R2008))

The purpose of this document is to provide standards for application to the threaded parts of hose couplings, valves, nozzles, and all other fittings used in direct connection with hose intended for domestic, industrial, and general service in nominal sizes of 1/2, 5/8, 3/4, 1, 1-1/4, 1-1/2, 2, 2-1/2, 3, 3-1/2, and 4 in.

Single copy price: \$35.00

Order from: For Reaffirmations and Withdrawn standards please view our catalog at <http://www.asme.org/kb/standards>

Send comments (with copy to [psa@ansi.org](mailto:psa@ansi.org)) to: Angel Guzman, (212) 591-8018, [guzman@asme.org](mailto:guzman@asme.org)

**ASME (American Society of Mechanical Engineers)****Reaffirmation**

BSR/ASME B1.21M-1997 (R2008), Metric Screw Threads - MJ Profile  
(reaffirmation of ANSI/ASME B1.21M-1997 (R2008))

This Standard establishes the basic triangular profile for the MJ thread form; provides a system of designations; lists the standard series of diameter/pitch combinations for diameters from 1.6 to 200 mm; and specifies limiting dimensions and tolerances. It specifies the characteristics of the MJ metric series of threads having a minimum 0.15011P radius at the root of the external thread, and also having the minor diameter of the external and internal threads increased above the ASME B 1.13M thread form to accommodate the external thread root radius.

Single copy price: \$39.00

Order from: For Reaffirmations and Withdrawn standards please view our catalog at <http://www.asme.org/kb/standards>

Send comments (with copy to [psa@ansi.org](mailto:psa@ansi.org)) to: Angel Guzman, (212) 591-8018, [guzman@asme.org](mailto:guzman@asme.org)

**ASME (American Society of Mechanical Engineers)****Reaffirmation**

BSR/ASME B94.9-2008 (R201x), Taps: Ground and Cut Threads with Cut Thread Appendix (Inch and Metric Sizes) (reaffirmation of ANSI/ASME B94.9-2008)

This Standard covers various designs of standard taps, nomenclature, and definitions; the standard system of marking; and dimensions and tolerance tables for the types and styles of taps listed below. For thread series designations, refer to Table 1.

Single copy price: \$55.00

Order from: For Reaffirmations and Withdrawn standards please view our catalog at <http://www.asme.org/kb/standards>

Send comments (with copy to [psa@ansi.org](mailto:psa@ansi.org)) to: Angel Guzman, (212) 591-8018, [guzman@asme.org](mailto:guzman@asme.org)

**Projects Withdrawn from Consideration**

An accredited standards developer may abandon the processing of a proposed new or revised American National Standard or portion thereof if it has followed its accredited procedures. The following projects have been withdrawn accordingly:

**ASTM (ASTM International)**

BSR/ASTM D2520-201x, Test Methods for Complex Permittivity (Dielectric Constant) of Solid Electrical Insulating Materials at Microwave Frequencies and Temperatures to 1650°C (new standard)

**ASTM (ASTM International)**

BSR/ASTM WK611-201x, Guide for Signage for Sports Facilities (new standard)

Inquiries may be directed to Karen Wilson, (610) 832-9743, [accreditation@astm.org](mailto:accreditation@astm.org)

**ASTM (ASTM International)**

BSR/ASTM WK23226-201x, Specification for Multilayer Polyethylene-Polyamide (PE-PA) Pipe for Pressure Piping Applications (new standard)

**Technical Reports Registered with ANSI**

Technical Reports Registered with ANSI are not consensus documents. Rather, all material contained in Technical Reports Registered with ANSI is informational in nature. Technical reports may include, for example, reports of technical research, tutorials, factual data obtained from a survey carried out among standards developers and/or national bodies, or information on the "state of the art" in relation to standards of national or international bodies on a particular subject.

Immediately following the end of a 30-day announcement period in Standards Action, the Technical Report will be registered by ANSI. Please submit any comments regarding this registration to the organization indicated, with a copy to the PSA Center, American National Standards Institute, 25 West 43rd Street, New York, NY 10036 or E-Mail to [psa@ansi.org](mailto:psa@ansi.org).

**AAMI (Association for the Advancement of Medical Instrumentation)**

AAMI TIR80001-2-4-2013, (technical report)

# Call for Members (ANS Consensus Bodies)

Directly and materially affected parties who are interested in participating as a member of an ANS consensus body for the standards listed below are requested to contact the sponsoring standards developer directly and in a timely manner.

## AAMI (Association for the Advancement of Medical Instrumentation)

**Office:** 4301 N Fairfax Drive  
Suite 301  
Arlington, VA 22203-1633

**Contact:** *Cliff Bernier*

**Phone:** (703) 253-8263

**Fax:** (703) 276-0793

**E-mail:** CBernier@aami.org

BSR/AAMI/ISO 5840-2-201x, Cardiovascular implants and extracorporeal systems - Cardiac valve prostheses - Part 2: Surgical heart valve substitutes (identical national adoption of ISO 5840-2)

BSR/AAMI/ISO 27186-201x, Active implantable medical devices - Four-pole connector system for implantable cardiac rhythm management devices - Dimensional and test requirements (identical national adoption of ISO 27186 (under development) and revision of ANSI/AAMI/ISO 27186-2010)

## FCI (Fluid Controls Institute)

**Office:** 1300 Sumner Avenue  
Cleveland, OH 44115

**Contact:** *Christopher Johnson*

**Phone:** (216) 241-7333 x3027

**Fax:** (216) 241-0105

**E-mail:** fci@fluidcontrolsinstitute.org

BSR/FCI 97-1-201x, Standard for Production Testing of Secondary Pressure Drainers (new standard)

## HI (Hydraulic Institute)

**Office:** 6 Campus Drive, 1st Fl North  
Parsippany, NJ 07054

**Contact:** *Karen Anderson*

**Phone:** (973) 267-9700 Ext 123

**Fax:** (973) 267-9055

**E-mail:** kanderson@pumps.org

BSR/HI 9.6.8-201x, Rotodynamic Pumps - Dynamics of Pumping Machinery (new standard)

## ISA (ISA)

**Office:** 67 Alexander Drive  
Research Triangle Park, NC 27709

**Contact:** *Eliana Brazda*

**Phone:** (919) 990-9228

**Fax:** (919) 549-8288

**E-mail:** ebrazda@isa.org

BSR/ISA 75.27.01-201x, Cryogenic Control Valve Seat Leakage (new standard)

## ITI (INCITS) (InterNational Committee for Information Technology Standards)

**Office:** 1101 K Street NW, Suite 610  
Washington, DC 20005

**Contact:** *Barbara Bennett*

**Phone:** (202) 626-5743

**Fax:** (202) 638-4922

**E-mail:** bbennett@ititc.org; rporter@ititc.org

INCITS/ISO/IEC 19784-4:2011/Cor 1:2013, Information technology - Biometric application programming interface - Part 4: Biometric sensor function provider interface - Technical Corrigendum 1 (identical national adoption of ISO/IEC 19784-4:2011/Cor 1:2013)

INCITS/ISO/IEC 19794-11:2013, Information technology - Biometric data interchange formats - Part 11: Signature/sign processed dynamic data (identical national adoption of ISO/IEC 19794-11:2013)

INCITS/ISO/IEC 19794-9:2011/Cor 1:2012, Information technology - Biometric data interchange formats - Part 9: Vascular image data - Technical Corrigendum 1 (identical national adoption of ISO/IEC 19794-9:2011/Cor 1:2012)

INCITS/ISO/IEC 20944-1-201x, Information technology - Metadata Registries Interoperability and Bindings (MDR-IB) - Part 1: Framework, common vocabulary, and common provisions for conformance (identical national adoption of ISO/IEC 20944-1:2013)

INCITS/ISO/IEC 20944-2-201x, Information technology - Metadata Registries Interoperability and Bindings (MDR-IB) - Part 2: Coding bindings (identical national adoption of ISO/IEC 20944-2:2013)

INCITS/ISO/IEC 20944-3-201x, Information technology - Metadata Registries Interoperability and Bindings (MDR-IB) - Part 3: API bindings (identical national adoption of ISO/IEC 20944-3:2013)

INCITS/ISO/IEC 20944-4-201x, Information technology - Metadata Registries Interoperability and Bindings (MDR-IB) - Part 4: Protocol bindings (identical national adoption of ISO/IEC 20944-4:2013)

INCITS/ISO/IEC 20944-5-201x, Information technology - Metadata Registries Interoperability and Bindings (MDR-IB) - Part 5: Profiles (identical national adoption of ISO/IEC 20944-5:2013)

INCITS/ISO/IEC 23270-2008 (R201x), Information technology - C# Language Specification (reaffirmation of INCITS/ISO/IEC 23270-2008)

INCITS/ISO/IEC 29142-3-201x, Information technology - Print cartridge characterization - Part 3: Environment (identical national adoption of ISO/IEC 29142-3:2013)

#### **MHI (Material Handling Industry)**

**Office:** 8720 Red Oak Blvd., Suite 201  
Charlotte, NC 28217-3992

**Contact:** *Michael Ogle*

**Phone:** (704) 676-1190

**Fax:** (704) 676-1199

**E-mail:** mogle@mhia.org; carmen@mhia.org

BSR MH27.1-201x, Specifications for Patented Track Underhung Cranes and Monorail Systems (revision of ANSI MH27.1-2003 (R2009))

BSR MH27.2-201x, Specifications for Enclosed Track Underhung Cranes and Monorail Systems (revision of ANSI MH27.2-2003 (R2009))

#### **OPEI (Outdoor Power Equipment Institute)**

**Office:** 341 South Patrick Street  
Alexandria, VA 22314

**Contact:** *Kathleen Woods*

**Phone:** (703) 549-7600, ext. 24

**Fax:** (703) 549-7604

**E-mail:** KWoods@opei.org

BSR/OPEI B71.9-201X, Multipurpose Off-Highway Utility Vehicles (revision of ANSI/OPEI B71.9-2012)

#### **TAPPI (Technical Association of the Pulp and Paper Industry)**

**Office:** 15 Technology Parkway South  
Peachtree Corners, GA 30092

**Contact:** *Charles Bohanan*

**Phone:** (770) 209-7276

**Fax:** (770) 446-6947

**E-mail:** standards@tappi.org

BSR/TAPPI T 627 om-201x, Determination of titanium dioxide (new standard)

BSR/TAPPI T 648 om-201x, Viscosity of coating clay slurry (new standard)

#### **TIA (Telecommunications Industry Association)**

**Office:** 1320 North Courthouse Road  
Suite 200  
Arlington, VA 22201

**Contact:** *Teesha Jenkins*

**Phone:** (703) 907-7706

**Fax:** (703) 907-7727

**E-mail:** standards@tiaonline.org

ANSI/TIA 102.AAAC-2001 (R2007), Project 25 Digital Land Mobile Radio, Conformance Test for the P25 DES Encryption Protocol (reaffirmation of ANSI/TIA 102.AAAC-2001)

BSR/TIA 470.210-E-201x, Telecommunications - Telephone Terminal Equipment - Resistance and Impedance Performance Requirements for Analog Telephones (revision and redesignation of ANSI/TIA 470.210-D-2010)

BSR/TIA 4957.000-201x, Overview and Architecture (new standard)

#### **TUV-R (TUV Rheinland PTL, LLC)**

**Office:** 2210 South Roosevelt Street  
Tempe, AZ 85282

**Contact:** *Jerome Novacek*

**Phone:** (480) 966-1700

**Fax:** (775) 314-6458

**E-mail:** jnovacek@us.tuv.com

BSR/TUV-R 70730-01-201x, Photovoltaic (PV) Modules Under the Effects of Inhomogeneous Snow Loads - Design Qualification and Type Approval (new standard)

BSR/TUV-R 71830-01-201x, Microinverters and Microconverters - Design Qualification and Type Approval (new standard)

#### **UL (Underwriters Laboratories, Inc.)**

**Office:** 455 E Trimble Road  
San Jose, CA 95131-1230

**Contact:** *Linda Phinney*

**Phone:** (408) 754-6684

**Fax:** (408) 754-6684

**E-mail:** Linda.L.Phinney@ul.com

BSR/UL 1083-201X, Standard for Safety for Household Electric Skillet and Frying-Type Appliances (Proposals dated March 15, 2013) (revision of ANSI/UL 1083-2011)

# Final Actions on American National Standards

The standards actions listed below have been approved by the ANSI Board of Standards Review (BSR) or by an ANSI-Audited Designator, as applicable.

## **AAMI (Association for the Advancement of Medical Instrumentation)**

### **Addenda**

ANSI/AAMI/ISO 13408-1-2008/A1-2013, Aseptic processing of health care products - Part 1: General requirements - Amendment 1 (addenda to ANSI/AAMI/ISO 13408-1-2008): 3/27/2013

## **ASA (ASC S12) (Acoustical Society of America)**

### **Reaffirmation**

ANSI/ASA S12.16-1992 (R2013), Guidelines for the Specification of Noise of New Machinery (reaffirmation of ANSI/ASA S12.16-1992 (R2007)): 3/26/2013

## **ASC X9 (Accredited Standards Committee X9, Incorporated)**

### **New Standard**

ANSI X9.119-1-2013, Retail Financial Services - Requirements for Protection of Sensitive Payment Card Data - Part 1: Using Encryption Methods (new standard): 3/26/2013

## **ASCE (American Society of Civil Engineers)**

### **Revision**

ANSI/ASCE T&DI 21-2013, Automated People Mover Standards (revision, redesignation and consolidation of ANSI/ASCE T&DI 21-2006, ANSI/ASCE T&DI 21.2-2008, ANSI/ASCE T&DI 21.3-2008, and ANSI/ASCE T&DI 21.4-2008): 3/26/2013

## **ASME (American Society of Mechanical Engineers)**

### **Revision**

ANSI/ASME B30.24-2013, Container Cranes (revision of ANSI/ASME B30.24-2008): 3/26/2013

## **AWWA (American Water Works Association)**

### **Revision**

ANSI/AWWA C207-2013, Steel Pipe Flanges for Waterworks Service - Sizes 4 In. Through 144 In. (100 mm Through 3,600 mm) (revision of ANSI/AWWA C207-2007): 3/26/2013

ANSI/AWWA C209-2013, Cold-Applied Tape Coatings for Steel Water Pipe, Special Sections, Connections, and Fittings (revision of ANSI/AWWA C209-2007): 3/26/2013

## **BICSI (Building Industry Consulting Service International)**

### **New Standard**

ANSI/BICSI 005-2013, Electronic Safety and Security (ESS) System Design and Implementation Best Practices (new standard): 3/26/2013

## **CSA (CSA Group)**

### **New Standard**

ANSI/CSA HGV 4.6-2013, Manually Operated Valves for Use in Gaseous Hydrogen Vehicle Fueling Systems (new standard): 3/26/2013

ANSI/CSA HGV 4.7-2013, Automatic Valves for Use in Gaseous Hydrogen Vehicle Fueling Stations (new standard): 3/26/2013

## **INMM (ASC N14) (Institute of Nuclear Materials Management)**

### **New Standard**

ANSI N14.36-2013, Measurement of Radiation Level and Surface Contamination for Packages and Conveyances (new standard): 3/27/2013

## **ITI (INCITS) (InterNational Committee for Information Technology Standards)**

### **Reaffirmation**

ANSI INCITS 383-2008 (R2013), Information Technology - Biometric Profile - Interoperability and Data Interchange - Biometrics Based Verification and Identification of Transportation Workers (reaffirmation of ANSI INCITS 383-2008): 3/26/2013

ANSI INCITS 398-2008 (R2013), Information technology - Common Biometric Exchange Formats Framework (CBEFF) (reaffirmation of ANSI INCITS 398-2008): 3/26/2013

ANSI INCITS 423.1-2008 (R2013), Information Technology - Conformance Testing Methodology Standard for Biometric Data Interchange Format Standards - Part 1: Generalized Conformance Testing Methodology (reaffirmation of ANSI INCITS 423.1-2008): 3/26/2013

ANSI INCITS 429-2008 (R2013), Information technology - Conformance Testing Methodology for ANSI INCITS 358-2002, BioAPI Specification (reaffirmation of ANSI INCITS 429-2008): 3/26/2013

INCITS/ISO/IEC 19784-2-2008 (R2013), Information technology - Biometric application programming interface - Part 2: Biometric archive function provider interface (reaffirmation of INCITS/ISO/IEC 19784-2-2008): 3/26/2013

INCITS/ISO/IEC 19784-1:2006/AM1-2007 (R2013), Information technology - BioAPI - Biometric Application Programming Interface - Part 1: BioAPI Specification - Amendment 1: BioGUI specification (reaffirmation of ANSI/INCITS/ISO/IEC 19784-1/AM1-2007): 3/26/2013

INCITS/ISO/IEC 19785-1-2008 (R2013), Information Technology - Common Biometric Exchange Formats Framework - Part 1: Data Element Specification (reaffirmation of INCITS/ISO/IEC 19785-1-2008): 3/26/2013

INCITS/ISO/IEC 19785-2-2008 (R2013), Information Technology - Common Biometric Exchange Formats Framework - Part 2: Procedures for the Operation of the Biometric Registration Authority (reaffirmation of INCITS/ISO/IEC 19785-2-2008): 3/26/2013



INCITS/ISO/IEC 19785-3-2008 (R2013), Information Technology - Common Biometric Exchange Formats Framework - Part 3: Patron Format Specifications (reaffirmation of INCITS/ISO/IEC 19785-3-2008): 3/26/2013

#### **Withdrawal**

ANSI INCITS 439-2008, Information technology - Fusion Information Format for Data Interchange (withdrawal of ANSI INCITS 439-2008): 3/26/2013

### **NCSL (ASC Z540) (National Conference of Standards Laboratories)**

#### **Reaffirmation**

ANSI NCSL Z540.3-2006 (R2013), Requirements for the Calibration of Measuring and Test Equipment (reaffirmation of ANSI NCSL Z540.3-2006): 3/26/2013

### **NECA (National Electrical Contractors Association)**

#### **Reaffirmation**

ANSI/NECA 100-2006 (R2013), Symbols for Electrical Construction Drawings (reaffirmation of ANSI/NECA 100-2006): 3/26/2013

### **NISO (National Information Standards Organization)**

#### **Revision**

ANSI/NISO Z39.7-2013, Information Services and Use: Metrics & Statistics for Libraries and Information Providers - Data Dictionary (revision of ANSI/NISO Z39.7-2004): 3/26/2013

### **NSF (NSF International)**

#### **Revision**

\* ANSI/NSF 61-2013 (i104), Drinking water system components - Health effects (revision of ANSI/NSF 61-2012): 3/26/2013

### **TIA (Telecommunications Industry Association)**

#### **Addenda**

ANSI/TIA 942-A-1-2013, Telecommunications Infrastructure Standard for Data Centers - Addendum 1: Cabling Guidelines for Data Center Fabrics (addenda to ANSI/TIA 942-A-2012): 3/26/2013

#### **New Standard**

ANSI/TIA 4957.100-2013, Layer 1 Standard Specification for the Smart Utility Network (new standard): 3/26/2013

ANSI/TIA 4963-2013, Electrical Characteristics of Reversible Balanced Voltage Digital Interface Circuits (new standard): 3/26/2013

#### **Reaffirmation**

ANSI/TIA 455-87-B-1993 (R2013), Fiber Optic Cable Knot Test (reaffirmation of ANSI/TIA 455-87B-1993 (R2005)): 3/22/2013

ANSI/TIA 455-100-A-1989 (R2013), Gas Leakage Test for Gas-Blocked Fiber Optic Cables (reaffirmation of ANSI/TIA 455-100A-1989 (R2005)): 3/22/2013

ANSI/TIA 455-104-A-1993 (R2013), Fiber Optic Cable Cyclic Flexing Test (reaffirmation of ANSI/TIA 455-104A-1993 (R2005)): 3/22/2013

ANSI/TIA 455-131-1997 (R2013), Measurement of Optical Fiber Ribbon Residual Twist (reaffirmation of ANSI/TIA 455-131-1997 (R2005)): 3/22/2013

ANSI/TIA 1048-2005 (R2013), IEC 62005-7: Reliability of Fibre Optic Interconnecting Devices and Passive Components - Part 7: Life Stress Modeling (reaffirmation of ANSI/TIA 1048-2005): 3/22/2013

### **UL (Underwriters Laboratories, Inc.)**

#### **New Standard**

ANSI/UL 1676-2013, Standard for Safety for Conductive-Path and Discharge-Path Resistors for Use in Radio-, Video-, or Television-Type Appliances (new standard): 3/21/2013

#### **Revision**

ANSI/UL 467-2013, Standard for Safety for Grounding and Bonding Equipment (revision of ANSI/UL 467-2007): 3/22/2013

ANSI/UL 467-2013a, Standard for Safety for Grounding and Bonding Equipment (revision of ANSI/UL 467-2007): 3/22/2013

ANSI/UL 1564-2013, Standard for Safety for Industrial Battery Chargers (Proposal dated 1-18-13) (revision of ANSI/UL 1564-2008): 3/26/2013

ANSI/UL 2556-2013, Standard for Safety for Wire and Cable Test Methods (revision of ANSI/UL 2556-2007): 3/22/2013

ANSI/UL 2556-2013, Standard for Safety for Wire and Cable Test Methods (revision of ANSI/UL 2556-2007): 3/22/2013

ANSI/UL 60335-2-34-2013, Standard for Safety for Household and Similar Electrical Appliances - Part 2: Particular Requirements for Motor-Compressors (revision of ANSI/UL 60335-2-34-2009): 3/22/2013

# Project Initiation Notification System (PINS)

ANSI Procedures require notification of ANSI by ANSI-accredited standards developers (ASD) of the initiation and scope of activities expected to result in new or revised American National Standards (ANS). Early notification of activity intended to reaffirm or withdraw an ANS and in some instances a PINS related to a national adoption is optional. The mechanism by which such notification is given is referred to as the PINS process. For additional information, see clause 2.4 of the ANSI Essential Requirements: Due Process Requirements for American National Standards.

Following is a list of proposed actions and new ANS that have been received recently from ASDs. Please also review the section in Standards Action entitled "American National Standards Maintained Under Continuous Maintenance" for additional or comparable information with regard to standards maintained under the continuous maintenance option. To view information about additional standards for which a PINS has been submitted and to search approved ANS, please visit [www.NSSN.org](http://www.NSSN.org), which is a database of standards information. Note that this database is not exhaustive.

Directly and materially affected interests wishing to receive more information or to submit comments are requested to contact the standards developer directly within 30 days of the publication of this announcement.

## **AAMI (Association for the Advancement of Medical Instrumentation)**

**Office:** 4301 N Fairfax Drive  
Suite 301  
Arlington, VA 22203-1633

**Contact:** *Cliff Bernier*

**Fax:** (703) 276-0793

**E-mail:** [CBernier@aami.org](mailto:CBernier@aami.org)

BSR/AAMI/ISO 5840-2-201x, Cardiovascular implants and extracorporeal systems - Cardiac valve prostheses - Part 2: Surgical heart valve substitutes (identical national adoption of ISO 5840-2)  
Stakeholders: Manufacturers and users of surgical heart valve substitutes.

Project Need: Revision of 5840:2005 to reflect current technology.

Applicable to heart valve substitutes intended for implantation in human hearts, generally requiring cardiopulmonary bypass and generally with direct visualization. Applicable to both newly developed and modified surgical heart valve substitutes and to the accessories, packaging, and labeling required for their implantation and for determining the appropriate size of the surgical heart valve substitute to be implanted. Outlines an approach for qualifying the design and manufacture of a surgical heart valve substitute through risk management. Defines operational conditions and performance requirements.

## **AAMI (Association for the Advancement of Medical Instrumentation)**

**Office:** 4301 N Fairfax Drive  
Suite 301  
Arlington, VA 22203-1633

**Contact:** *Jennifer Moyer*

**Fax:** (703) 276-0793

**E-mail:** [jmoyer@aami.org](mailto:jmoyer@aami.org)

BSR/AAMI/ISO 27186-201x, Active implantable medical devices - Four-pole connector system for implantable cardiac rhythm management devices - Dimensional and test requirements (identical national adoption of ISO 27186 (under development) and revision of ANSI/AAMI/ISO 27186-2010)

Stakeholders: Manufacturers, regulators, clinicians.

Project Need: This document clarifies language and eases over-restrictive requirements in the first edition.

This document specifies a four-pole connector system for implantable cardiac rhythm management devices that have pacing, electrogram sensing and/or defibrillation functions. This document includes requirements for the connector portion of an implantable lead as well as for the mating connector cavity attached to an implantable pulse generator. Essential dimensions and performance requirements are specified together with appropriate test methods.

## **ACMA (American Composites Manufacturers Association)**

**Office:** 1010 North Glebe Road  
Arlington, VA 43025

**Contact:** *Larry Cox*

**Fax:** (740) 525-0743

**E-mail:** [Lcox1225@gmail.com](mailto:Lcox1225@gmail.com)

BSR/ACMA/FGMC-Manual-2014-201x, Fiberglass Composite Grating Manual for Pultruded and Molded Grating and Stair Treads (new standard)

Stakeholders: Composite manufacturers, suppliers to the composites industry, engineers and designers, other end users and interested parties.

Project Need: To create a national standard for practical guidelines for the composites industry.

The Fiberglass Grating Manufacturers Council (FGMC) has developed this manual of standard practices to provide useful information related to the procedures and practices for the fabrication and installation of pultruded and molded grating and stair treads.

## **AHRI (Air-Conditioning, Heating, and Refrigeration Institute)**

**Office:** 2111 Wilson Boulevard  
Suite 500  
Arlington, VA 22201

**Contact:** *Daniel Abbate*

**Fax:** (703) 562-1942

**E-mail:** [dabbate@ahrinet.org](mailto:dabbate@ahrinet.org)

BSR/AHRI Standard 870 (I-P)-201x, Performance Rating of Direct Geoechange Heat Pumps (new standard)

Stakeholders: This standard is intended for the guidance of the industry, including manufacturers, engineers, installers, contractors, and users.

Project Need: The purpose of this standard is to establish for Direct Geoechange Heat Pumps: definitions; classification; test and rating requirements; minimum data requirements for Published Ratings; operating requirements; marking and nameplate data; and conformance conditions. In this standard, the terms "heat pump" or "equipment" may be used to designate Direct Geoechange Heat Pumps.

This standard applies to factory-made residential, commercial, and industrial Direct Geoechange Heat Pumps as defined in Section 3, and within the capacity range of 18,000 Btu/h through 180,000 Btu/h.

**BSR/AHRI Standard 871 (SI)-201x, Performance Rating of Direct Geoechange Heat Pumps (new standard)**

Stakeholders: This standard is intended for the guidance of the industry, including manufacturers, engineers, installers, contractors, and users.

Project Need: The purpose of this standard is to establish for Direct Geoechange Heat Pumps: definitions; classification; test and rating requirements; minimum data requirements for Published Ratings; operating requirements; marking and nameplate data; and conformance conditions. In this standard, the terms "heat pump" or "equipment" may be used to designate Direct Geoechange Heat Pumps.

This standard applies to factory-made residential, commercial, and industrial Direct Geoechange Heat Pumps as defined in Section 3, and within the capacity range of 18,000 Btu/h through 180,000 Btu/h.

**BSR/AHRI Standard 1060 (I-P)-201x, Performance Rating of Air-to-Air Exchangers for Energy Recovery Ventilation Equipment (revision of ANSI/AHRI Standard 1060 (I-P)-2011)**

Stakeholders: This standard is intended for the guidance of the industry, including manufacturers, designers, installers, contractors, and users.

Project Need: The purpose of this standard is to establish for Air-to-Air Heat Exchangers intended for use in Air-to-Air Energy Recovery Ventilation Equipment: definitions; test requirements; rating requirements; minimum data requirements for Published Ratings; marking and nameplate data; and conformance conditions.

This standard applies to factory-made Air-to-Air Heat Exchangers for use in Air-to-Air Energy Recovery Ventilation Equipment as defined in Section 3 of this standard. Exclusions: This standard does not apply to the rating and testing of heat exchangers joined by circulated heat transfer medium (run-around loop). A run-around loop employs liquid-containing coils connected in a closed loop and placed in each of two or more airstreams.

**BSR/AHRI Standard 1061 (SI)-201x, Performance Rating of Air-to-Air Exchangers for Energy Recovery Ventilation Equipment (revision of ANSI/AHRI Standard 1061 (SI)-2011)**

Stakeholders: This standard is intended for the guidance of the industry, including manufacturers, designers, installers, contractors, and users.

Project Need: The purpose of this standard is to establish for Air-to-Air Heat Exchangers intended for use in Air-to-Air Energy Recovery Ventilation Equipment: definitions; test requirements; rating requirements; minimum data requirements for Published Ratings; marking and nameplate data; and conformance conditions.

This standard applies to factory-made Air-to-Air Heat Exchangers for use in Air-to-Air Energy Recovery Ventilation Equipment as defined in Section 3 of this standard. Exclusions: This standard does not apply to the rating and testing of heat exchangers joined by circulated heat transfer medium (run-around loop). A run-around loop employs liquid-containing coils connected in a closed loop and placed in each of two or more airstreams.

**BSR/AHRI Standard 1110 (I-P)-201x, Performance Rating of Mechanical Transport Refrigeration Units (new standard)**

Stakeholders: This standard is intended for the guidance of the industry, including manufacturers, engineers, installers, contractors, and users.

Project Need: The purpose of this standard is to establish for Mechanical Transport Refrigeration Units: definitions; test requirements; rating requirements; minimum data requirements for Published Ratings; operating requirements; marking and nameplate data; and conformance conditions.

This standard applies to encased direct expansion vapor compression type Mechanical Transport Refrigeration Units with the following components: (1) Compressor; (2) Air-cooled condenser; (3) Refrigerant flow control(s); (4) Forced-Circulation Air-Cooler; (5) Base or frame; (6) Prime Mover as described in the unit manufacturer's literature; and (7) Power Train (coupling, power take-off, transmission, V-belt drive, etc.) connecting the unit to the Prime Mover.

**BSR/AHRI Standard 1111 (SI)-201x, Performance Rating of Mechanical Transport Refrigeration Units (new standard)**

Stakeholders: This standard is intended for the guidance of the industry, including manufacturers, engineers, installers, contractors, and users.

Project Need: The purpose of this standard is to establish for Mechanical Transport Refrigeration Units: definitions; test requirements; rating requirements; minimum data requirements for Published Ratings; operating requirements; marking and nameplate data; and conformance conditions.

This standard applies to encased direct expansion vapor compression type Mechanical Transport Refrigeration Units with the following components: (1) Compressor; (2) Air-cooled condenser; (3) Refrigerant flow control(s); (4) Forced-Circulation Air-Cooler; (5) Base or frame; (6) Prime Mover as described in the unit manufacturer's literature; and (7) Power Train (coupling, power take-off, transmission, V-belt drive, etc.) connecting the unit to the Prime Mover.

**BSR/AHRI Standard 1270 (I-P)-201x, Requirements for Seismic Qualification of HVACR Equipment (revision and redesignation of ANSI/AHRI Standard 1270-2011)**

Stakeholders: This standard is intended for the guidance of the industry, including manufacturers, engineers, installers, contractors, and users.

Project Need: The purpose of this standard is to define the requirements for seismic qualification of mechanical HVACR Equipment. The International Building Code (R) (IBC) includes a number of provisions for seismic design and certification of nonstructural components.

This standard applies to the following equipment: fan coil units, unit ventilators, air handling units, coils, air-to-air heat exchangers, vertical packaged air conditioners and heat pumps, packaged terminal equipment, dehumidifiers, flow and contaminant controls, furnaces, humidifiers, liquid chillers, thermal storage equipment, unitary air conditioners and heat pumps (including ductless equipment), and water-source heat pumps. This standard does not apply to any other products. This standard describes the methods for equipment qualification and the process to determine equipment seismic capacity.

BSR/AHRI Standard 1271 (SI)-201x, Requirements for Seismic Qualification of HVACR Equipment (revision and redesignation of ANSI/AHRI Standard 1271-2011)

Stakeholders: This standard is intended for the guidance of the industry, including manufacturers, engineers, installers, contractors, and users.

Project Need: The purpose of this standard is to define the requirements for seismic qualification of mechanical HVACR Equipment. The International Building Code (R) (IBC) includes a number of provisions for seismic design and certification of nonstructural components.

This standard applies to the following equipment: fan coil units, unit ventilators, air handling units, coils, air-to-air heat exchangers, vertical packaged air conditioners and heat pumps, packaged terminal equipment, dehumidifiers, flow and contaminant controls, furnaces, humidifiers, liquid chillers, thermal storage equipment, unitary air conditioners and heat pumps (including ductless equipment), and water-source heat pumps. This standard does not apply to any other products. This standard describes the methods for equipment qualification and the process to determine equipment seismic capacity.

#### **ASABE (American Society of Agricultural and Biological Engineers)**

**Office:** 2950 Niles Road  
St Joseph, MI 49085

**Contact:** *Carla VanGilder*

**Fax:** (269) 429-3852

**E-mail:** [vangilder@asabe.org](mailto:vangilder@asabe.org)

BSR/ASABE S633 MONYEAR-201x, Testing Soil Moisture Sensors for Landscape Irrigation (new standard)

Stakeholders: Soil moisture sensor manufacturers, irrigation testing facilities, irrigation consultants and designers, irrigation managers, irrigation contractors, governmental agencies, water purveyors.

Project Need: Municipal water providers, irrigation industry leaders, EPA WaterSense, green building codes, and voluntary building programs require a standard to test and qualify soil moisture sensors for use in with irrigation control devices that automatically modify irrigation schedules based on changing plant water demands. A standardized testing method to validate responsiveness of soil moisture sensors to changing soil moisture conditions is needed to manage water resources in the urban setting.

To standardize a test that can be used to evaluate the performance characteristics of soil moisture sensors in response to soil moisture changes. The standard will also provide a method to determine if the sensor bypasses scheduled irrigation at preset soil moisture values, if so equipped.

BSR/ASAE/ISO AD5687-1999 MONYEAR-201x, Equipment for harvesting - Combine harvesters - Determination and designation of grain tank capacity and unloading device performance (national adoption of ISO 5678:1999 with modifications and revision of ANSI/ASAE/ISO 5687-2004 (R2009))

Stakeholders: Manufacturers of combine harvesters and related components and agricultural producers.

Project Need: The intent of adopting this standard with deviations is to add clarity to the standard by removing all subjectivity from the testing procedure. The proposed deviations will include additional bounds on test parameters to make the test more repeatable and robust. This will allow the reported results to be more reliable and consistent regardless of facilitator.

Specifies a method for determining and designating the capacity and unloading rate of combine harvester grain tanks and unloading systems.

#### **ASTM (ASTM International)**

**Office:** 100 Barr Harbor Drive  
West Conshohocken, PA 19428-2959

**Contact:** *Jeff Richardson*

**Fax:** (610) 834-7067

**E-mail:** [accreditation@astm.org](mailto:accreditation@astm.org)

BSR/ASTM WK14392-201x, New Test Method for Evaluating the Sustained Air Performance and Exhaust Emissions of Central Vacuum Cleaning Units (new standard)

Stakeholders: Vacuum Cleaners industry.

Project Need: This method is a laboratory test for determining the sustained air performance and Exhaust Emissions of a central vacuum cleaner when tested under laboratory conditions.

<http://www.astm.org/DATABASE.CART/WORKITEMS/WK14392.htm>

BSR/ASTM WK41275-201x, New Practice for Determination of Arch Stiffness Constant (ASC) and Flattening of Corrugated Wall Stormwater Collection Chambers (new standard)

Stakeholders: Test Methods industry.

Project Need: This practice covers the determination of laboratory load-deflection characteristics of thermoplastic corrugated wall stormwater collection chambers under vertical loading.

<http://www.astm.org/DATABASE.CART/WORKITEMS/WK41275.htm>

BSR/ASTM WK41378-201x, New Specification for Research Report: Evaluation of Alcohol to Jet Synthetic Paraffinic Kerosenes (ATJ-SPKs) (new standard)

Stakeholders: Emerging Turbine Fuels industry.

Project Need: The primary objective is to provide data to show that ATJ SPK is fit for purpose for use on turbine engine, and to provide data to support the establishment of specification criteria to control process variability.

<http://www.astm.org/DATABASE.CART/WORKITEMS/WK41378.htm>

BSR/ASTM WK41415-201x, New Practice for Standard Practice for Ignition Sources Applicable to Electrical and Electronic Insulation Materials (new standard)

Stakeholders: Fire Performance Standards industry.

Project Need: This Practice describes a series of ignition sources that have been used and that are potentially applicable to assessing fire-test-response characteristics resulting from the ignition of electrical and electronic insulation materials or of electrical or electronic products containing such materials.

<http://www.astm.org/DATABASE.CART/WORKITEMS/WK41415.htm>

#### **AWS (American Welding Society)**

**Office:** 8669 Doral Blvd.  
Suite 130  
Doral, FL 33166

**Contact:** *Rosalinda O'Neill*

**Fax:** (305) 443-5951

**E-mail:** [roneill@aws.org](mailto:roneill@aws.org); [adavis@aws.org](mailto:adavis@aws.org)

BSR/AWS C6.3M/C6.3-201x, Recommended Practice for Friction Stir Welding (new standard)

Stakeholders: Aerospace, oil and gas, auto.

Project Need: There only one standard for friction stir welding and it is written for the aerospace industry. Need to have a standard that is general to other industries.

This Standard provides recommended practices intended to be applicable to all industries for friction stir welding of aluminum and magnesium alloys and addresses design considerations, fabrication, and quality assurance.

**CEA (Consumer Electronics Association)**

**Office:** 2214 Rock Hill Road  
Suite 170  
Herndon, VA 20170-4212

**Contact:** Dave Wilson

**Fax:** ((703) ) 907-7601

**E-mail:** dwilson@ce.org; Carce@CE.org

\* BSR/CEA 2020-2007 (R201x), Other VBI Waveforms (reaffirmation of ANSI/CEA 2020-2007)

Stakeholders: Consumers, manufacturers, retailers.

Project Need: Reaffirm ANSI/CEA 2020, Other VBI Waveform.

This standard, CEA-2020, specifies four Vertical Blanking Interval (VBI) waveforms in commercial use. The electrical properties of the waveforms are covered, but the meaning of the payload data is not. The waveforms apply to 525-line, interlaced (i.e., 480i) analog television signals. The waveforms may be present on analog inputs and analog outputs, but no conformance requirements about the actual presence of the waveforms are defined in CEA-2020.

**CSA (CSA Group)**

**Office:** 8501 East Pleasant Valley Rd.  
Cleveland, OH 44131

**Contact:** Cathy Rake

**Fax:** (216) 520-8979

**E-mail:** cathy.rake@csagroup.org

BSR Z21.81-201x, Standard for Cylinder Connection Devices (Same as CSA 6.25) (revision and redesignation of ANSI Z21.81-2004 (R2010), Z21.81a-2006 (R2010))

Stakeholders: Manufacturers, utilities, consumers, testing agencies.

Project Need: To update and revise the text.

Details test and examination criteria for Type I and Type II cylinder connection devices intended to connect the cylinder valve on portable LP-Gas containers to the inlet of the regulator on outdoor cooking gas appliances. These cylinder connection devices are intended for vapor withdrawal service only

BSR Z83.21/CSA C22.2 No. 168-201x, Standard for Commercial Dishwashers (revision, redesignation and consolidation of ANSI Z83.21/CSA C22.2 No. 168/UL 921-2005 (R2010))

Stakeholders: Consumers, manufacturers, gas suppliers, certifying agencies.

Project Need: Revised Standard for Safety.

Details for test and examination of commercial gas-fired and electric dishwashers for use with natural, manufactured, and mixed liquefied petroleum gases, and LP gas-air mixtures.

BSR/CSA NGV3.1-201x, Fuel system components for natural gas vehicles (Same as CSA 12.3) (revision of ANSI/CSA NGV3.1-2012 and BSR/CSA NGV 3.1a-201x)

Stakeholders: Industry, manufacturers, consumers, certification agencies.

Project Need: To revise and update the standard for safety.

This standard establishes requirements for newly produced compressed natural gas fuel system components, intended for use on natural gas powered vehicles. This standard applies to devices that have a service pressure of either 16 500 kPa (2,400 psi), 20 700 kPa (3,000 psi), or 24 800 kPa (3,600 psi).

**HI (Hydraulic Institute)**

**Office:** 6 Campus Drive, 1st Fl North  
Parsippany, NJ 07054

**Contact:** Karen Anderson

**Fax:** (973) 267-9055

**E-mail:** kanderson@pumps.org

BSR/HI 9.6.8-201x, Rotodynamic Pumps - Dynamics of Pumping Machinery (new standard)

Stakeholders: Pump manufacturers, specifiers, purchasers, and users.

Project Need: To develop a Hydraulic Institute standard to appropriately evaluate pumping machinery construction attributes and relevant site characteristics in order to determine the effects of dynamic performance on equipment life and reliability.

This new guideline that describes and recommends the means to appropriately evaluate pumping machinery construction attributes and relevant site characteristics in order to determine the effects of dynamic performance on equipment life and reliability. It will describe and recommend various levels of detailed evaluations and validations that are commensurate with the degree of equipment uncertainty and application risk. The scope of the document encompasses Rotodynamic pumps as referenced in the Hydraulic Institute Standards.

**HL7 (Health Level Seven)**

**Office:** 3300 Washtenaw Avenue  
Suite 227  
Ann Arbor, MI 48104

**Contact:** Karen Van Hentenryck

**Fax:** (734) 677-6622

**E-mail:** Karenvan@HL7.org

BSR/HL7 V3 CPM CMET, R1-201x, HL7 Version 3 Standard: Common Product Model, Release 1 (new standard)

Stakeholders: Public health and emergency response regulated clinical research, information management, pharmacy, patient safety orders and observations, European medicines agency.

Project Need: This project will create a Common Clinical Product Model from which all HL7 V3 messages that have a requirement to represent (clinical) products will derive their content (for example, medications in the pharmacy messages, vaccines in immunization messages, or more general products in Individual Case Safety Report and Structured Product Labeling models).

The Common Product Model CMETs provides a common definition of products that can be used in a variety of other models to ensure consistency where products must be referenced.

BSR/HL7V3 CDISC2MSG SP, R1-201x, HL7 Version 3 Standard: Regulated Studies; CDISC Content to Message - Study Participation, Release 1 (new standard)

Stakeholders: Healthcare.

Project Need: To meet future regulatory requirements.

This message is intended to transmit information about all experimental subjects, investigators, and other relevant entities involved in the conduct of an individual clinical study. This information is often provided at the start of the study; as part of a subsequent update on that study; and as part of the final study report. At each of these time points, the message could contain some/all of the following information: (1) The organizations involved within the study (e.g., sponsor, IND holders, CROs, central labs, safety monitoring boards, data management organizations etc.); (2) Subject demographics; (3) Subject disposition information; and (4) Investigator participation.

BSR/HL7V3IG SOA KM INFOBUTTON, R1-201x, HL7 Version 3 Implementation Guide: Context-Aware Knowledge Retrieval (Infobutton) Service-Oriented Architecture Implementation Guide, Release 1 (new standard)

Stakeholders: Clinical Information System developers, clinical knowledge resource publishers, clinical decision support developers, and health care organizations.

Project Need: To specify a service-oriented implementation approach for context-sensitive knowledge integration into clinical information systems.

The scope of this project is to produce a normative version of the Infobutton SOA implementation guide, which has been available as a DSTU for a 2-year period. The DSTU expires in March 2013. This document specifies the following: (1) REST implementations for infobutton capabilities; (2) Knowledge response payload based on the Atom Standard.

#### ISA (ISA)

**Office:** 67 Alexander Drive  
Research Triangle Park, NC 27709

**Contact:** *Eliana Brazda*

**Fax:** (919) 549-8288

**E-mail:** ebrazda@isa.org

BSR/ISA 75.27.01-201x, Cryogenic Control Valve Seat Leakage (new standard)

Stakeholders: Consumers, manufacturers, regulatory bodies.

Project Need: To provide a method of cryogenic and low-temperature seat leak testing of sliding stem control valves needed within the cryogenic industries.

This document describes the preferred method of cryogenic and low temperature seat leak testing of sliding stem control valves. The leakage classes within this document were developed in conjunction with testing originally developed for the Liquefied Natural Gas (LNG) Industry, but that are also applicable to other cryogenic industries.

#### ITI (INCITS) (InterNational Committee for Information Technology Standards)

**Office:** 1101 K Street NW, Suite 610  
Washington, DC 20005

**Contact:** *Barbara Bennett*

**Fax:** (202) 638-4922

**E-mail:** bbennett@itic.org; rporter@itic.org

INCITS/ISO/IEC 19784-4:2011/Cor 1:2013, Information technology - Biometric application programming interface - Part 4: Biometric sensor function provider interface - Technical Corrigendum 1 (identical national adoption of ISO/IEC 19784-4:2011/Cor 1:2013)

Stakeholders: ICT industry.

Project Need: Adoption of this International Standard will be beneficial to the ICT industry.

This is the first corrigendum to ISO/IEC 19784-4:2011 that specifies a biometric sensor interface for a Biometric Service Provider (BSP, see ISO/IEC 19784-1). The interface supports a BSP wishing to provide the BioAPI Service Provider Interface (SPI) functions, whilst removing device-handling activity from the BSP. ISO/IEC 19784-4:2011 provides an interface that can be used by all types of biometric sensors, including inter-alia image streaming sensors (infrared, face, iris, finger, etc.), voice-streaming sensors, and digital tablets providing dynamic signature data.

INCITS/ISO/IEC 19794-9:2011/Cor 1:2012, Information technology - Biometric data interchange formats - Part 9: Vascular image data - Technical Corrigendum 1 (identical national adoption of ISO/IEC 19794-9:2011/Cor 1:2012)

Stakeholders: ICT industry.

Project Need: Adoption of this International Standard will be beneficial to the ICT industry.

This is the first corrigendum to ISO/IEC 19794-9:2011 that specifies an image interchange format for biometric person identification or verification technologies that utilize human vascular biometric images and can be used for the exchange and comparison of vascular image data. It specifies a data record interchange format for storing, recording, and transmitting vascular biometric information from one or more areas of the human body. It defines the contents, format, and units of measurement for the image exchange, etc.

INCITS/ISO/IEC 20944-1-201x, Information Technology - Metadata Registries Interoperability and Bindings (MDR-IB) - Part 1: Framework, Common Vocabulary, and Common Provisions for Conformance (identical national adoption of ISO/IEC 20944-1:2013)

Stakeholders: ICT industry.

Project Need: Adoption of this International Standard will be beneficial to the ICT industry.

The ISO/IEC 20944 series of International Standards provides the bindings and their interoperability for metadata registries, such as those specified in the ISO/IEC 11179 series of International Standards. ISO/IEC 20944-1:2013 contains an overview, framework, common vocabulary, and common provisions for conformance for the ISO/IEC 20944 series of International Standards

INCITS/ISO/IEC 20944-2-201x, Information technology - Metadata Registries Interoperability and Bindings (MDR-IB) - Part 2: Coding bindings (identical national adoption of ISO/IEC 20944-2:2013)

Stakeholders: ICT industry.

Project Need: Adoption of this International Standard will be beneficial to the ICT industry.

The ISO/IEC 20944 series of International Standards provides the bindings and their interoperability for metadata registries, such as those specified in the ISO/IEC 11179 series of International Standards. ISO/IEC 20944-2:2013 contains provisions that are common to coding bindings and the coding bindings themselves. The coding bindings have commonality in their conceptualization of data instances and their internal structures.

INCITS/ISO/IEC 20944-3-201x, Information Technology - Metadata Registries Interoperability and Bindings (MDR-IB) - Part 3: API Bindings (identical national adoption of ISO/IEC 20944-3:2013)

Stakeholders: ICT industry.

Project Need: Adoption of this International Standard will be beneficial to the ICT industry.

The ISO/IEC 20944 series of International Standards provides the bindings and their interoperability for metadata registries, such as those specified in the ISO/IEC 11179 series of International Standards. ISO/IEC 20944-3:2013 contains provisions that are common to application programming interface (API) bindings and the API bindings themselves. The API bindings have commonality in their conceptualization of the services provided. Common features include:

- using a session paradigm to access data;
- using a parameterized security framework to support a variety of security techniques; and
- using a hierarchical navigation for data access.



INCITS/ISO/IEC 20944-4-201x, Information Technology - Metadata Registries Interoperability and Bindings (MDR-IB) - Part 4: Protocol Bindings (identical national adoption of ISO/IEC 20944-4:2013)

Stakeholders: ICT industry.

Project Need: Adoption of this International Standard will be beneficial to the ICT industry.

The ISO/IEC 20944 series of International Standards provides the bindings and their interoperability for metadata registries, such as those specified in the ISO/IEC 11179 series of International Standards.

ISO/IEC 20944-4:2013 contains provisions that are common to protocol bindings and the protocol bindings themselves. The protocol bindings have commonality in their conceptualization of the services provided.

Common features include:

- common data transfer semantics; and
- harmonized session services for connection-oriented and connectionless protocols.

Bindings for HTTP and WebDAV protocols are provided.

INCITS/ISO/IEC 20944-5-201x, Information Technology - Metadata Registries Interoperability and Bindings (MDR-IB) - Part 5: Profiles (identical national adoption of ISO/IEC 20944-5:2013)

Stakeholders: ICT industry.

Project Need: Adoption of this International Standard will be beneficial to the ICT industry.

The ISO/IEC 20944 series of International Standards provides the bindings and their interoperability for metadata registries, such as those specified in the ISO/IEC 11179 series of International Standards.

ISO/IEC 20944-5:2013 contains provisions that are common to the profiles, and the profiles themselves. A profile of ISO/IEC 11179-3:2003 is included, which maps ISO/IEC 11179 metadata attributes to standardized identifiers for navigation and access of ISO/IEC 11179 metadata.

INCITS/ISO/IEC 29142-3-201x, Information technology - Print cartridge characterization - Part 3: Environment (identical national adoption of ISO/IEC 29142-3:2013)

Stakeholders: ICT industry.

Project Need: Adoption of this International Standard will be beneficial to the ICT industry.

ISO/IEC 29142-3:2013 describes the principles and framework for environmental assessment of ink and toner cartridges used in printing devices that have a digital input printing path, including multi-function devices, including: (a) the goals and definitions related to environmental responsibility; (b) guidance to determine the relative benefits of reuse, recycling, recovery, and reduction techniques; (c) identification and prioritization of environmental attributes according to each phase of the cartridge life-cycle; and (d) criteria for establishing environmentally sustainable practices.

### **MHI (Material Handling Industry)**

**Office:** 8720 Red Oak Blvd., Suite 201  
Charlotte, NC 28217-3992

**Contact:** *Michael Ogle*

**Fax:** (704) 676-1199

**E-mail:** [mogle@mhia.org](mailto:mogle@mhia.org); [carmen@mhia.org](mailto:carmen@mhia.org)

BSR MH27.1-201x, Specifications for Patented Track Underhung Cranes and Monorail Systems (revision of ANSI MH27.1-2003 (R2009))

Stakeholders: Designers, users, suppliers, distributors.

Project Need: Changes to clearance requirements, guidance on load impact factors, and holding travel brake adjustments.

Applies to underhung cranes whose end trucks operate on the lower flange of a patented-track runway section; and carriers (trolleys) operating on single-track patented-track monorail systems, including all curves, switches, transfer devices, lift and drop sections, and associated equipment. Does not apply to systems for transporting personnel. Does not apply to enclosed-track runway sections, enclosed-track monorail systems, structural-shape runway sections, or structural-shape monorail systems.

BSR MH27.2-201x, Specifications for Enclosed Track Underhung Cranes and Monorail Systems (revision of ANSI MH27.2-2003 (R2009))

Stakeholders: Designers, users, suppliers, distributors.

Project Need: Single substantive change needed to correct a voltage level in clause 15.2.

Applies to underhung cranes whose end trucks operate on the internal flange of a runway using enclosed track section; and to trolleys (carriers) operating on single-track monorail systems, including all curves, switches transfer devices, lift and drop sections, and associated equipment. Systems used for transporting personnel require special considerations and are not included in these specifications.

### **OPEI (Outdoor Power Equipment Institute)**

**Office:** 341 South Patrick Street  
Alexandria, VA 22314

**Contact:** *Kathleen Woods*

**Fax:** (703) 549-7604

**E-mail:** [KWoods@opei.org](mailto:KWoods@opei.org)

BSR/OPEI B71.9-201X, Multipurpose Off-Highway Utility Vehicles (revision of ANSI/OPEI B71.9-2012)

Stakeholders: Manufacturers of outdoor power equipment (OPE), distributors, testing labs, governmental agencies, OPE related associations, and users (both consumer and commercial).

Project Need: To revise and enhance an existing standard.

This standard establishes requirements for equipment, configuration, and performance of Multipurpose Off-Highway Utility Vehicles.

**TAPPI (Technical Association of the Pulp and Paper Industry)**

**Office:** 15 Technology Parkway South  
Peachtree Corners, GA 30092

**Contact:** Charles Bohanan

**Fax:** (770) 446-6947

**E-mail:** standards@tappi.org

BSR/TAPPI T 627 om-201x, Determination of titanium dioxide (new standard)

Stakeholders: Manufacturers of pulp, paper, packaging, or related products, consumers or converters of such products, and suppliers of equipment, supplies, or raw materials for the manufacture of such products.

Project Need: To conduct required five-year review of an existing TAPPI standard in order to revise if needed to address new technology or correct errors.

This method describes a procedure for the volumetric quantitative determination of titanium dioxide in paper and raw materials such as pigments, fillers, and minerals, as well as in materials in various stages of process such as white water, modified or unmodified coating colors, inks, etc. It is suitable for all levels of titanium dioxide content.

BSR/TAPPI T 648 om-201x, Viscosity of coating clay slurry (new standard)

Stakeholders: Manufacturers of pulp, paper, packaging, or related products, consumers or converters of such products, and suppliers of equipment, supplies, or raw materials for the manufacture of such products.

Project Need: To conduct required five-year review of an existing TAPPI standard in order to revise if needed to address new technology or correct errors.

This method describes a procedure for the determination of the low- and high-shear viscosity of coating clays. This is accomplished by the preparation of a completely dispersed 70% solids aqueous clay suspension with incremental introduction of dispersant to obtain the optimum dosage (minimum viscosity) for the low and high shearing rates.

**TIA (Telecommunications Industry Association)**

**Office:** 1320 North Courthouse Road  
Suite 200  
Arlington, VA 22201

**Contact:** Marianna Kramarikova

**E-mail:** standards@tiaonline.org

BSR/TIA 470.210-E-201x, Telecommunications - Telephone Terminal Equipment - Resistance and Impedance Performance Requirements for Analog Telephones (revision and redesignation of ANSI/TIA 470.210-D-2010)

Stakeholders: Corded and cordless telephone manufacturers, analog terminal adapter manufacturers, multimedia terminal adapter manufacturers, voice gateway manufacturers, VoIP service providers, DSL and cable Internet service providers, DECT/CAT-iq chipset makers, telephone controller IC makers, VoIP telephone manufacturers.

Project Need: Provides updates for an existing standard.

This standard establishes criteria and procedures for evaluating the on-hook and off-hook Resistance and Impedance performance of analog telephones and terminals. The recommended on-hook requirements are written with a model of five (5) Customer Premise Equipment (CPE) attached to the Customer Interface (CI) and the minimum performance requirements are based on a model of three (3) CPE. The current document addresses requirements for narrowband (300 to 3400 Hz) telephones that have traditionally been connected to the public switched telephone network (PSTN). Many of these telephones are now being connected to analog terminal adapters (ATAs) and voice gateways (VGs) for use with VoIP services. In some cases the telephones and the ATAs and VGs to which they are attached are capable of providing wideband (typically 150 to 6800 Hz) transmission performance. This revision will extend the on-hook and off-hook impedance requirements to cover the wider bandwidth, where appropriate, to ensure proper stability and echo control.

**TUV-R (TUV Rheinland PTL, LLC)**

**Office:** 2210 South Roosevelt Street  
Tempe, AZ 85282

**Contact:** Jerome Novacek

**Fax:** (775) 314-6458

**E-mail:** jnovacek@us.tuv.com

\* BSR/TUV-R 70730-01-201x, Photovoltaic (PV) Modules Under the Effects of Inhomogeneous Snow Loads - Design Qualification and Type Approval (new standard)

Stakeholders: Renewable energy industry, solar energy industry, utility companies, photovoltaic power plant monitoring companies and manufacturers.

Project Need: There is currently no American National Standard that addresses the design-qualification and type-approval requirements for photovoltaic (PV) modules under the effects of inhomogeneous snow loads. It is our responsibility as an ANSI SDO to work with industry; manufacturers; installers; and local, state, and federal agencies to develop safety and general requirements for the protection of all US consumers.

This standard describes requirements for the design qualification and type approval of PV Modules Under the Effects of Inhomogeneous Snow Loads suitable for long-term operation in climates where snow is prevalent. These test specifications describe a test method for determining the direct load-bearing capability of PV modules under the effects of inhomogeneous snow loads.

BSR/TUV-R 71830-01-201x, Microinverters and Microconverters -  
Design Qualification and Type Approval (new standard)

Stakeholders: Renewable energy industry, solar energy industry, utility companies, photovoltaic power plant monitoring companies and manufacturers of: photovoltaic modules, junction boxes, inverters, and converters.

Project Need: There is currently no American National Standard that addresses the design-qualification and type-approval requirements for microinverters and microconverters. These items are currently being developed, and it is our responsibility as an ANSI SDO to work with industry; manufacturers; installers; and local, state, and federal agencies to develop long-term functionality requirements through a set of standardized accelerated tests for the protection of all US consumers.

This Standard describes requirements for the design qualification and type approval of microinverters and microconverters suitable for long-term operation in general open air climates, as defined in IEC 60721-2-1. The object of this test sequence is to determine the electrical and thermal characteristics of the microinverters and microconverters and to show that the microinverters and microconverters are capable of withstanding prolonged exposure in climates described in the scope. The actual lifetime expectancy of microinverters and microconverters so qualified will depend on their design, their environment and the conditions under which they are operated.

**UL (Underwriters Laboratories, Inc.)**

**Office:** 455 E. Trimble Rd.  
San Jose, CA 95131-1230

**Contact:** Marcia Kawate

**Fax:** (408) 754-6743

**E-mail:** Marcia.M.Kawate@ul.com

BSR/UL 486F-201x, Standard for Safety for Bare and Covered Ferrules  
(new standard)

Stakeholders: Manufacturers of bare and covered ferrules, end-product manufacturers, wire connector industry.

Project Need: To obtain national recognition of a standard covering bare and covered ferrules.

These requirements cover bare and covered ferrules intended for field wiring and factory wiring. These ferrules are intended to facilitate the connection of stranded wire on to devices, such as terminal blocks.

# American National Standards Maintained Under Continuous Maintenance

The ANSI Essential Requirements: Due Process Requirements for American National Standards provide two options for the maintenance of American National Standards (ANS): periodic maintenance (see clause 4.7.1) and continuous maintenance (see clause 4.7.2). Continuous maintenance is defined as follows:

The standard shall be maintained by an accredited standards developer. A documented program for periodic publication of revisions shall be established by the standards developer. Processing of these revisions shall be in accordance with these procedures. The published standard shall include a clear statement of the intent to consider requests for change and information on the submittal of such requests. Procedures shall be established for timely, documented consensus action on each request for change and no portion of the standard shall be excluded from the revision process. In the event that no revisions are issued for a period of four years, action to reaffirm or withdraw the standard shall be taken in accordance with the procedures contained in the ANSI Essential Requirements.

The Executive Standards Council (ExSC) has determined that for standards maintained under the Continuous Maintenance option, separate PINS announcements are not required. The following ANSI Accredited Standards Developers have formally registered standards under the Continuous Maintenance option.

- AAMI (Association for the Advancement of Medical Instrumentation)
- AAMVA (American Association of Motor Vehicle Administrators)
- AGA (American Gas Association)
- AGRSS, Inc. (Automotive Glass Replacement Safety Standards Committee, Inc.)
- ASC X9 (Accredited Standards Committee X9, Incorporated)
- ASHRAE (American Society of Heating, Refrigerating and Air-Conditioning Engineers, Inc.)
- ASME (American Society of Mechanical Engineers)
- ASTM (ASTM International)
- GEIA (Greenguard Environmental Institute)
- HL7 (Health Level Seven)
- MHI (ASC MH10) (Material Handling Industry)
- NAHBRC (NAHB Research Center, Inc.)
- NBBPVI (National Board of Boiler and Pressure Vessel Inspectors)
- NCPDP (National Council for Prescription Drug Programs)
- NISO (National Information Standards Organization)
- NSF (NSF International)
- TIA (Telecommunications Industry Association)
- UL (Underwriters Laboratories, Inc.)

To obtain additional information with regard to these standards, such as contact information at the ANSI accredited standards developer, please visit ANSI Online at [www.ansi.org](http://www.ansi.org), select Internet Resources, click on "Standards Information," and see "American National Standards Maintained Under Continuous Maintenance". This information is also available directly at [www.ansi.org/publicreview](http://www.ansi.org/publicreview).

Alternatively, you may contact the Procedures & Standards Administration Department (PSA) at [psa@ansi.org](mailto:psa@ansi.org) or via fax at 212-840-2298. If you request that information be provided via E-mail, please include your E-mail address; if you request that information be provided via fax, please include your fax number. Thank you.

## ANSI-Accredited Standards Developers Contact Information

The addresses listed in this section are to be used in conjunction with standards listed in PINS, Call for Comment and Final Actions. This section is a list of developers who have submitted standards for this issue of *Standards Action* – it is not intended to be a list of all ANSI-Accredited Standards Developers. Please send all address corrections to Standards Action Editor at [standact@ansi.org](mailto:standact@ansi.org).

<p><b>AAMI</b> Association for the Advancement of Medical Instrumentation (AAMI) 4301 N Fairfax Drive Suite 301 Arlington, VA 22203-1633 Phone: (703) 253-8263 Fax: (703) 276-0793 Web: <a href="http://www.aami.org">www.aami.org</a></p>	<p><b>ASABE</b> American Society of Agricultural and Biological Engineers 2950 Niles Road St Joseph, MI 49085 Phone: (269) 932-7015 Fax: (269) 429-3852 Web: <a href="http://www.asabe.org">www.asabe.org</a></p>	<p><b>ATIS</b> Alliance for Telecommunications Industry Solutions 1200 G Street, NW Suite 500 Washington, DC 20005 Phone: (202) 434-8841 Fax: (202) 347-7125 Web: <a href="http://www.atis.org">www.atis.org</a></p>	<p><b>EOS/ESD</b> ESD Association 7900 Turin Rd., Bldg. 3 Rome, NY 13440 Phone: (315) 339-6937 Fax: (315) 339-6793 Web: <a href="http://www.esda.org">www.esda.org</a></p>
<p><b>ACMA</b> American Composites Manufacturers Association 1010 North Glebe Road Arlington, VA 43025 Phone: (740) 928-3286 Fax: (740) 525-0743 Web: <a href="http://www.icpa-hq.org">www.icpa-hq.org</a></p>	<p><b>ASC X9</b> Accredited Standards Committee X9, Incorporated 1212 West Street, Suite 200 Annapolis, MD 21401 Phone: (410) 267-7707 Fax: (410) 267-0961 Web: <a href="http://www.x9.org">www.x9.org</a></p>	<p><b>AWS</b> American Welding Society 8669 Doral Blvd. Suite 130 Doral, FL 33166 Phone: (305) 443-9353 Fax: (305) 443-5951 Web: <a href="http://www.aws.org">www.aws.org</a></p>	<p><b>FCI</b> Fluid Controls Institute 1300 Sumner Avenue Cleveland, OH 44115 Phone: (216) 241-7333 x3027 Fax: (216) 241-0105 Web: <a href="http://www.fluidcontrolsinstitute.org">www.fluidcontrolsinstitute.org</a></p>
<p><b>AHRI</b> Air-Conditioning, Heating, and Refrigeration Institute 2111 Wilson Boulevard Suite 500 Arlington, VA 22201 Phone: (703) 600-0327 Fax: (703) 562-1942 Web: <a href="http://www.ahrinet.org">www.ahrinet.org</a></p>	<p><b>ASCE</b> American Society of Civil Engineers 1801 Alexander Bell Dr Reston, VA 20191 Phone: 703-295-6176 Web: <a href="http://www.asce.org">www.asce.org</a></p>	<p><b>AWWA</b> American Water Works Association 6666 W. Quincy Ave. Denver, CO 80235 Phone: (303) 347-6178 Fax: (303) 795-7603 Web: <a href="http://www.awwa.org">www.awwa.org</a></p>	<p><b>HI</b> Hydraulic Institute 6 Campus Drive, 1st Fl North Parsippany, NJ 07054 Phone: (973) 267-9700 Ext 123 Fax: (973) 267-9055 Web: <a href="http://www.pumps.org">www.pumps.org</a></p>
<p><b>ANS</b> American Nuclear Society 555 North Kensington Avenue La Grange Park, IL 60526-5592 Phone: (708) 579-8269 Fax: (708) 579-8248 Web: <a href="http://www.ans.org">www.ans.org</a></p>	<p><b>ASHRAE</b> American Society of Heating, Refrigerating and Air-Conditioning Engineers, Inc. 1791 Tullie Circle NE Atlanta, GA 30329 Phone: (404) 636-8400 Fax: (678) 539-2138 Web: <a href="http://www.ashrae.org">www.ashrae.org</a></p>	<p><b>BICSI</b> Building Industry Consulting Service International 8610 Hidden River Parkway Tampa, FL 33637 Phone: (813) 903-4712 Fax: (813) 971-4311 Web: <a href="http://www.bicsi.org">www.bicsi.org</a></p>	<p><b>HL7</b> Health Level Seven 3300 Washtenaw Avenue Suite 227 Ann Arbor, MI 48104 Phone: (734) 677-7777 Ext 104 Fax: (734) 677-6622 Web: <a href="http://www.hl7.org">www.hl7.org</a></p>
<p><b>APA</b> APA - The Engineered Wood Association 7011 South 19th Street Tacoma, WA 98466 Phone: (253) 620-7467 Fax: (253) 565-7265 Web: <a href="http://www.apawood.org">www.apawood.org</a></p>	<p><b>ASME</b> American Society of Mechanical Engineers Two Park Avenue New York, NY 10016 Phone: (212) 591-8521 Fax: (212) 591-8501 Web: <a href="http://www.asme.org">www.asme.org</a></p>	<p><b>CSA</b> CSA Group 8501 East Pleasant Valley Rd. Cleveland, OH 44131 Phone: (216) 524-4990 Fax: (216) 520-8979 Web: <a href="http://www.csa-america.org">www.csa-america.org</a></p>	<p><b>INMM (ASC N14)</b> Institute of Nuclear Materials Management 75 North 200 East Oak Ridge National Laboratory Richmond, UT 84333 Phone: (435) 258-3730 Web: <a href="http://www.inmm.org">www.inmm.org</a></p>
<p><b>ASA (ASC S12)</b> Acoustical Society of America 35 Pinelawn Road, Suite 114E Melville, NY 11747 Phone: (631) 390-0215 Fax: (631) 390-0217 Web: <a href="http://acousticalsociety.org">acousticalsociety.org</a></p>	<p><b>ASTM</b> ASTM International 100 Barr Harbor Drive West Conshohocken, PA 19428-2959 Phone: (610) 832-9743 Fax: (610) 834-3655 Web: <a href="http://www.astm.org">www.astm.org</a></p>	<p><b>ECA</b> Electronic Components Association 2214 Rock Hill Road Suite 170 Herndon, VA 20170-4212 Phone: ((703) ) 907-7421 Fax: ((703) ) 907-7601 Web: <a href="http://www.ce.org">www.ce.org</a></p>	<p><b>ISA (Organization)</b> ISA-The Instrumentation, Systems, and Automation Society 67 Alexander Drive Research Triangle Park, NC 27709 Phone: (919) 990-9228 Fax: (919) 549-8288 Web: <a href="http://www.isa.org">www.isa.org</a></p>
			<p><b>ITI (INCITS)</b> InterNational Committee for Information Technology Standards 1101 K Street NW, Suite 610 Washington, DC 20005 Phone: (202) 626-5743 Fax: (202) 638-4922 Web: <a href="http://www.incits.org">www.incits.org</a></p>

**MHI**

Material Handling Industry  
 8720 Red Oak Blvd., Suite 201  
 Charlotte, NC 28217-3992  
 Phone: (704) 676-1190  
 Fax: (704) 676-1199  
 Web: www.mhia.org

**NCSL (ASC Z540)**

National Conference of Standards  
 Laboratories  
 2995 Wilderness Place  
 Suite 107  
 Boulder, CO 80301-5404  
 Phone: (303) 440-3339  
 Fax: (303) 440-3384  
 Web: www.ncsli.org

**NECA**

National Electrical Contractors  
 Association  
 3 Bethesda Metro Center  
 Suite 1100  
 Bethesda, MD 20814  
 Phone: (301) 215-4549  
 Fax: (301) 215-4500  
 Web: www.necanet.org

**NEMA (ASC C8)**

National Electrical Manufacturers  
 Association  
 1300 North 17th Street, Suite 1752  
 Rosslyn, VA 22209  
 Phone: (703) 841-3271  
 Fax: 703-841-3371  
 Web: www.nema.org

**NEMA (Canvass)**

National Electrical Manufacturers  
 Association  
 1300 North 17th Street, Suite 1752  
 Rosslyn, VA 22209  
 Phone: (703) 841-3253  
 Fax: (703) 841-3353  
 Web: www.nema.org

**NISO**

National Information Standards  
 Organization  
 One North Charles Street, Suite 1905  
 Baltimore, MD 21201  
 Phone: (301) 654-2512  
 Fax: (410) 685-5278  
 Web: www.niso.org

**NSF**

NSF International  
 789 N. Dixboro Road  
 Ann Arbor, MI 48105  
 Phone: (734) 827-5643  
 Fax: (734) 827-7880  
 Web: www.nsf.org

**OPEI**

Outdoor Power Equipment Institute  
 341 South Patrick Street  
 Alexandria, VA 22314  
 Phone: (703) 549-7600, ext. 24  
 Fax: (703) 549-7604  
 Web: www.opei.org

**TAPPI**

Technical Association of the Pulp and  
 Paper Industry  
 15 Technology Parkway South  
 Peachtree Corners, GA 30092  
 Phone: (770) 209-7276  
 Fax: (770) 446-6947  
 Web: www.tappi.org

**TIA**

Telecommunications Industry  
 Association  
 1320 North Courthouse Road  
 Suite 200  
 Arlington, VA 22201  
 Phone: (703) 907-7582  
 Web: www.tiaonline.org

**TUV-R**

TUV Rheinland PTL, LLC  
 2210 South Roosevelt Street  
 Tempe, AZ 85282  
 Phone: (480) 966-1700  
 Fax: (775) 314-6458  
 Web: www.tuvptl.com/

**UL**

Underwriters Laboratories, Inc.  
 455 E Trimble Road  
 San Jose, CA 95131-1230  
 Phone: (408) 754-6722  
 Fax: (408) 754-6722  
 Web: www.ul.com/





# ISO Draft International Standards

This section lists proposed standards that the International Organization for Standardization (ISO) is considering for approval. The proposals have received substantial support within the technical committees or subcommittees that developed them and are now being circulated to ISO members for comment and vote. Standards Action readers interested in reviewing and commenting on these documents should order copies from ANSI.

## Comments

Comments regarding ISO documents should be sent to Karen Hughes, at ANSI's New York offices (isot@ansi.org). The final date for offering comments is listed after each draft.

## Ordering Instructions

**ISO Drafts can be made available by contacting ANSI's Customer Service department. Please e-mail your request for an ISO Draft to Customer Service at [sales@ansi.org](mailto:sales@ansi.org). When making your request, please provide the date of the Standards Action issue in which the draft document you are requesting appears.**

### **ANAESTHETIC AND RESPIRATORY EQUIPMENT (TC 121)**

IEC/DIS 60601-1-12.2, Medical Electrical Equipment - Part 1-12: General requirements for basic safety and essential performance - Collateral Standard: Requirements for medical electrical equipment and medical electrical systems used in the emergency medical services environment, \$107.00

### **BANKING AND RELATED FINANCIAL SERVICES (TC 68)**

ISO/DIS 9362, Banking - Banking telecommunication messages - Business identifier code (BIC) - 6/24/2013, \$40.00

### **CONCRETE, REINFORCED CONCRETE AND PRE-STRESSED CONCRETE (TC 71)**

ISO/DIS 13315-2, Environmental management for concrete and concrete structures - Part 2: System boundary and inventory data - 6/18/2013

### **FRAUD COUNTERMEASURES AND CONTROLS (TC 247)**

ISO/DIS 16678, Guidelines for interoperable object identification and related authentication systems to deter counterfeiting and illicit trade - 6/26/2013

### **INDUSTRIAL FURNACES AND ASSOCIATED PROCESSING EQUIPMENT (TC 244)**

ISO/DIS 13577-4, Industrial furnace and associated processing equipment - Safety - Part 4: Protective systems - 6/28/2013

### **MATERIALS, EQUIPMENT AND OFFSHORE STRUCTURES FOR PETROLEUM AND NATURAL GAS INDUSTRIES (TC 67)**

ISO/DIS 16904, Petroleum and natural gas industries - Design and testing of LNG marine transfer arms for conventional onshore terminals - 6/15/2013

ISO/DIS 19901-8, Petroleum and natural gas industries - Specific requirements for offshore structures - Part 8: Marine soil investigations - 6/22/2013

### **MECHANICAL TESTING OF METALS (TC 164)**

ISO/DIS 6508-1, Metallic materials - Rockwell hardness test - Part 1: Test method - 6/15/2013, \$88.00

ISO/DIS 6508-2, Metallic materials - Rockwell hardness test - Part 2: Verification and calibration of testing machines and indenters - 6/15/2013, \$71.00

ISO/DIS 6508-3, Metallic materials - Rockwell hardness test - Part 3: Calibration of reference blocks - 6/15/2013, \$58.00

### **MECHANICAL VIBRATION AND SHOCK (TC 108)**

ISO 16063-22/DAMd1, Methods for the calibration of vibration and shock transducers - Part 22: Shock calibration by comparison to a reference transducer - Amendment 1 - 6/17/2013

### **PLASTICS (TC 61)**

ISO/DIS 4895, Plastics - Liquid epoxy resins - Determination of tendency to crystallize - 6/29/2013, \$33.00

### **SOLID BIOFUELS (TC 238)**

ISO/DIS 16993, Solid biofuels - Conversion of analytical results from one basis to another - 6/15/2013

ISO/DIS 16994, Solid biofuels - Determination of total content of sulphur and chlorine - 6/15/2013

ISO/DIS 16995, Solid biofuels - Determination of the water soluble content of chloride, sodium and potassium - 6/15/2013

### **SPORTS AND RECREATIONAL EQUIPMENT (TC 83)**

ISO/DIS 23537, Requirements for sleeping bags - 6/22/2013

### **STERILIZATION OF HEALTH CARE PRODUCTS (TC 198)**

ISO 11607-1/DAMd1, Packaging for terminally sterilized medical devices - Part 1: Requirements for materials, sterile barrier systems and packaging systems - Amendment 1 - 6/15/2013

ISO 11607-2/DAMd1, Packaging for terminally sterilized medical devices - Part 2: Validation requirements for forming, sealing and assembly processes - Amendment 1 - 6/15/2013

### **THERMAL INSULATION (TC 163)**

ISO/DIS 9972, Thermal performance of buildings - Determination of air permeability of buildings - Fan pressurization method - 6/15/2013, \$77.00

### **TYRES, RIMS AND VALVES (TC 31)**

ISO/DIS 4251-1, Tyres (ply rating marked series) and rims for agricultural tractors and machines - Part 1: Tyre designation and dimensions, and approved rim contours - 6/18/2013, \$77.00

ISO/DIS 4251-2, Tyres (ply rating marked series) and rims for agricultural tractors and machines - Part 2: Tyre load ratings - 6/18/2013, \$77.00

## **ISO/IEC JTC 1, Information Technology**

ISO/IEC CD 7811-1, Identification cards - Recording technique - Part 1: Embossing - 6/28/2013, \$82.00

ISO/IEC CD 7811-2, Identification cards - Recording technique - Part 2: Magnetic stripe - 6/28/2013, \$82.00

ISO/IEC CD 7811-6, Identification cards - Recording technique - Part 6: Magnetic stripe - High coercivity - 6/28/2013, \$88.00

ISO/IEC CD 7811-7, Identification cards - Recording technique - Part 7: Magnetic stripe - High coercivity, high density - 6/28/2013, \$88.00

ISO/IEC CD 7811-8, Identification cards - Recording technique - Part 8: Magnetic stripe - Coercivity of 51,7 kA/m (650 Oe) - 6/28/2013, \$53.00

ISO/IEC DIS 11694-5, Identification cards - Optical memory cards - Linear recording method - Part 5: Data format for information interchange for applications using ISO/IEC 11694-4 - 6/18/2013, \$67.00

ISO/IEC DIS 11694-6, Identification cards - Optical memory cards - Linear recording method - Part 6: Use of biometrics on an optical memory card - 6/18/2013, \$40.00

### **OTHER**

ISO/IEC DIS 13273-1, Energy efficiency and renewable energy sources - Common international terminology - Part 1: Energy Efficiency - 6/25/2013

ISO/IEC DIS 13273-2, Energy efficiency and renewable energy sources - Common international terminology - Part 2: Renewable Energy Sources - 6/25/2013



# Newly Published ISO Standards

Listed here are new and revised standards recently approved and promulgated by ISO - the International Organization for Standardization. Most are available at the ANSI Electronic Standards Store (ESS) at [www.ansi.org](http://www.ansi.org). All paper copies are available from Standards resellers (<http://webstore.ansi.org/faq.aspx#resellers>).

## ISO/IEC JTC 1 Technical Reports

ISO/IEC TR 29108:2013, Information technology - Terminology for intelligent homes, \$218.00

### AIR QUALITY (TC 146)

ISO 13833:2013, Stationary source emissions - Determination of the ratio of biomass (biogenic) and fossil-derived carbon dioxide - Radiocarbon sampling and determination, \$164.00

ISO 25597:2013, Stationary source emissions - Test method for determining PM<sub>2,5</sub> and PM<sub>10</sub> mass in stack gases using cyclone samplers and sample dilution, \$204.00

### AIRCRAFT AND SPACE VEHICLES (TC 20)

ISO 13832:2013, Aerospace - Wire, aluminium alloy and copper-clad aluminium conductors - General performance requirements, \$90.00

### CORROSION OF METALS AND ALLOYS (TC 156)

ISO 21601:2013, Corrosion of metals and alloys - Guidelines for assessing the significance of stress corrosion cracks detected in service, \$120.00

### DENTISTRY (TC 106)

ISO 16635-1:2013, Dentistry - Dental rubber dam technique - Part 1: Hole punch, \$53.00

### FINE CERAMICS (TC 206)

ISO 11894-1:2013, Fine ceramics (advanced ceramics, advanced technical ceramics) - Test method for conductivity measurement of ion-conductive fine ceramics - Part 1: Oxide-ion-conducting solid electrolytes, \$70.00

### GAS CYLINDERS (TC 58)

ISO 11114-2:2013, Gas cylinders - Compatibility of cylinder and valve materials with gas contents - Part 2: Non-metallic materials, \$98.00

### INDUSTRIAL AUTOMATION SYSTEMS AND INTEGRATION (TC 184)

ISO 16739:2013, Industry Foundation Classes (IFC) for data sharing in the construction and facility management industries, \$126.00

### LIFTS, ESCALATORS, PASSENGER CONVEYORS (TC 178)

ISO 22201-2:2013, Lifts (elevators), escalators and moving walks - Programmable electronic systems in safety related applications - Part 2: Escalators and moving walks (PESSRAE), \$135.00

### NUCLEAR ENERGY (TC 85)

ISO/ASTM 51261:2013, Practice for calibration of routine dosimetry systems for radiation processing, \$112.00

ISO/ASTM 51631:2013, Practice for use of calorimetric dosimetry systems for electron beam dose measurements and dosimetry system calibrations, \$80.00

ISO/ASTM 51702:2013, Practice for dosimetry in a gamma facility for radiation processing, \$70.00

ISO/ASTM 51940:2013, Guide for dosimetry for sterile insects release programs, \$90.00

ISO/ASTM 52116:2013, Practice for dosimetry for a self-contained dry-storage gamma irradiator, \$90.00

### OTHER

ISO 14346:2013, Static design procedure for welded hollow-section joints - Recommendations, \$192.00

### PLASTICS (TC 61)

ISO 307/Amd1:2013, Plastics - Polyamides - Determination of viscosity number - Amendment 1: Corrections, and update to reference to JIS K 6920-2, \$20.00

### PULLEYS AND BELTS (INCLUDING VEEBELTS) (TC 41)

ISO 340:2013, Conveyor belts - Laboratory scale flammability characteristics - Requirements and test method, \$70.00

### ROAD VEHICLES (TC 22)

ISO 14229-6:2013, Road vehicles - Unified diagnostic services (UDS) - Part 6: Unified diagnostic services on K-Line implementation (UDSonK-Line), \$80.00

### SHIPS AND MARINE TECHNOLOGY (TC 8)

ISO 16304:2013, Ships and marine technology - Marine environment protection - Arrangement and management of port waste reception facilities, \$126.00

ISO 16446:2013, Ships and marine technology - Marine environment protection - Adapter for joining dissimilar boom connectors, \$60.00

### SMALL TOOLS (TC 29)

ISO 525:2013, Bonded abrasive products - General requirements, \$98.00

**TRANSPORT INFORMATION AND CONTROL SYSTEMS (TC 204)**

ISO 12855/Cor1:2013, Electronic fee collection - Information exchange between service provision and toll charging - Corrigendum, FREE

ISO 14906/Cor1:2013, Electronic fee collection - Application interface definition for dedicated short-range communication - Corrigendum, FREE

**WELDING AND ALLIED PROCESSES (TC 44)**

ISO 15012-1:2013, Health and safety in welding and allied processes - Equipment for capture and separation of welding fume - Part 1: Requirements for testing and marking of separation efficiency, \$98.00

**ISO Technical Reports****LIFTS, ESCALATORS, PASSENGER CONVEYORS (TC 178)**

ISO/TR 22201-3:2013, Lifts (elevators), escalators and moving walks - Programmable electronic systems in safety related applications - Part 3: Life cycle guideline for programmable electronic systems related to PESSRAL and PESSRAE, \$80.00

**TIMBER STRUCTURES (TC 165)**

ISO/TR 18267:2013, Timber structures - Review of design standards, \$135.00

**TRANSPORT INFORMATION AND CONTROL SYSTEMS (TC 204)**

ISO/TR 13184-1:2013, Intelligent transport systems - Guidance protocol via personal ITS station for advisory safety systems - Part 1: General information and use case definitions, \$135.00

**WELDING AND ALLIED PROCESSES (TC 44)**

ISO/TR 15608:2013, Welding - Guidelines for a metallic materials grouping system, \$70.00

**ISO Technical Specifications****TRANSPORT INFORMATION AND CONTROL SYSTEMS (TC 204)**

ISO/TS 13141/Cor1:2013, Electronic fee collection - Localisation augmentation communication for autonomous systems - Corrigendum, FREE

ISO/TS 17575-1/Cor1:2013, Electronic fee collection - Application interface definition for autonomous systems - Part 1: Charging - Corrigendum, FREE

ISO/TS 17575-3/Cor1:2013, Electronic fee collection - Application interface definition for autonomous systems - Part 3: Context data - Corrigendum, FREE

**ISO/IEC JTC 1, Information Technology**

ISO/IEC 15444-11/Amd1:2013, Information technology - JPEG 2000 image coding system: Wireless - Amendment 1: IP based wireless networks, \$20.00

# Registration of Organization Names in the United States

The Procedures for Registration of Organization Names in the United States of America (document ISSB 989) require that alphanumeric organization names be subject to a 90-day Public Review period prior to registration. For further information, please contact the Registration Coordinator at (212) 642-4946.

The following is a list of alphanumeric organization names that have been submitted to ANSI for registration. Alphanumeric names appearing for the first time are printed in bold type. Names with confidential contact information, as requested by the organization, list only public review dates.

## PUBLIC REVIEW

Digital Transmission License Administrator

Public Review: March 18, 2013 to June 12, 2013

NOTE: Challenged alphanumeric names are underlined. The Procedures for Registration provide for a challenge process, which follows in brief. For complete details, see Section 6.4 of the Procedures.

A challenge is initiated when a letter from an interested entity is received by the Registration Coordinator. The letter shall identify the alphanumeric organization name being challenged and state the rationale supporting the challenge. A challenge fee shall accompany the letter. After receipt of the challenge, the alphanumeric organization name shall be marked as challenged in the Public Review list. The Registration Coordinator shall take no further action to register the challenged name until the challenge is resolved among the disputing parties.

# Proposed Foreign Government Regulations

## Call for Comment

U.S. manufacturers, exporters, regulatory agencies and standards developing organizations may be interested in proposed foreign technical regulations issued by Member countries of the World Trade Organization (WTO). In accordance with the WTO Agreement on Technical Barriers to Trade (TBT Agreement), Members are required to report proposed technical regulations that may significantly affect trade to the WTO Secretariat in Geneva, Switzerland. In turn, the Secretariat disseminates the information to all WTO Members. The purpose of this requirement is to provide global trading partners with an opportunity to review and comment on the regulations before they become final.

The National Center for Standards and Certification Information (NCSCI) at the National Institute of Standards and Technology

(NIST), distributes these proposed foreign technical regulations to U.S. stakeholders via an online service, Notify U.S. Notify U.S. is an e-mail and Web service that allows interested U.S. parties to register, obtain notifications, and read full texts of regulations from countries and for industry sectors of interest to them. To register for Notify U.S., please go to Internet URL: <http://www.nist.gov/notifyus/> and click on "Subscribe".

NCSCI is the WTO TBT Inquiry Point for the U.S. and receives all notifications and full texts of regulations to disseminate to U.S. Industry. For further information, please contact: NCSCI, NIST, 100 Bureau Drive, Gaithersburg, MD 20899-2160; Telephone: (301) 975-4040; Fax: (301) 926-1559; E-mail: [ncsci@nist.gov](mailto:ncsci@nist.gov) or [notifyus@nist.gov](mailto:notifyus@nist.gov).

# Information Concerning

---

## American National Standards

### INCITS Executive Board

#### ANSI Accredited SDO and US TAG to ISO/IEC JTC 1, Information Technology

The InterNational Committee for Information Technology Standards (INCITS), an ANSI accredited SDO, is the forum for information technology developers, producers and users for the creation and maintenance of formal de jure IT standards. INCITS' mission is to promote the effective use of Information and Communication Technology through standardization in a way that balances the interests of all stakeholders and increases the global competitiveness of the member organizations.

The INCITS Executive Board serves as the consensus body with its oversight of programs of its 40+ Technical Committees. Additionally, the INCITS Executive Board exercises international leadership in its role as the US Technical Advisory Group (TAG) to ISO/IEC JTC 1, Information Technology.

The INCITS Executive Board seeks to broaden its membership base and is recruiting new participants in the following membership categories:

- special interest (user, academic, consortia)
- non-business (government and major/minor SDOs)

Membership in the INCITS Executive Board is open to all directly and materially affected parties in accordance with INCITS membership rules. To find out more about participating on the INCITS Executive Board, please contact Jennifer Garner at 202-626-5737 or [jgarner@itic.org](mailto:jgarner@itic.org). Visit [www.INCITS.org](http://www.INCITS.org) for more information regarding INCITS activities.

### Calls for Members

#### Society of Cable Telecommunications

##### ANSI Accredited Standards Developer

SCTE, an ANSI-accredited SDO, is the primary organization for the creation and maintenance of standards for the cable telecommunications industry. SCTE's standards mission is to develop standards that meet the needs of cable system operators, content providers, network and customer premises equipment manufacturers, and all others who have an interest in the industry through a fair, balanced and transparent process.

SCTE is currently seeking to broaden the membership base of its ANS consensus bodies and is interested in new members in all membership categories to participate in new work in fiber-optic networks, advanced advertising, 3D television, and other important topics. Of particular interest is membership from the content (program and advertising) provider and user communities.

Membership in the SCTE Standards Program is open to all directly and materially affected parties as defined in SCTE's membership rules and operating procedures. More information is available at [www.scte.org](http://www.scte.org) or by e-mail from [standards@scte.org](mailto:standards@scte.org).

## ANSI Accredited Standards Developers

### Approval of Reaccreditation

#### FM Approvals

ANSI's Executive Standards Council has approved the reaccreditation of FM Approvals under its recently revised operating procedures for documenting consensus on FM Approvals-sponsored American National Standards, effective March 22, 2013. For additional information, please contact: Ms. Josephine Mahnken, Senior Business Process Specialist, FM Approvals, P.O. Box 9102, 1151 Boston-Providence Turnpike, Norwood, MA 02062; phone: 781.255.4813; e-mail: [josephine.mahnken@fmapprovals.com](mailto:josephine.mahnken@fmapprovals.com).

## ANSI Accreditation Program for Third Party Product Certification Agencies

### Applicant

#### NSF International

##### Comment Deadline: April 29, 2013

Mr. Craig Morr - Director, Quality

##### **NSF International**

789 Dixboro Road  
Ann Arbor, MI 48105

Tel.: (734) 769-8010

Fax: (734) 769-0109

E-mail: [cmorr@nsf.org](mailto:cmorr@nsf.org)

NSF International, an ANSI-accredited certification body, has been accredited for their application for ANSI accreditation to include the following:

BIFMA level™ Certification Program for ANSI/BIFMA e3-2011 Furniture Sustainability Standard

Please send your comments by April 29, 2013 to Reinaldo Balbino Figueiredo, Senior Program Director, Product Certifier Accreditation, American National Standards Institute, 1899 L Street, NW, 11th Floor, Washington, DC 20036, Fax: 202-293-9287 or e-mail: [rfigueir@ansi.org](mailto:rfigueir@ansi.org), or Nikki Jackson, Senior Program Manager, Product Certifier Accreditation, American National Standards Institute, 1899 L Street, NW, 11th Floor, Washington, DC 20036, Fax: 202-293-9287 or e-mail: [njackson@ansi.org](mailto:njackson@ansi.org).



## Scope Extension

Intertek Testing Services, NA, Inc.

**Comment Deadline: April 29, 2013**

Mr. Paul Moliski - Director of Accreditation  
**Intertek Testing Services, NA Inc.**

3933 U.S. Route 11

Cortland, NY 13045

Tel.: (607) 753-6711

Fax: (607) 756-9891

E-mail: paul.moliski@intertek.com

Intertek Testing Services, NA Inc., an ANSI-accredited certification body, has extended its scope of ANSI accreditation to include the following:

Drinking Water System Components - Lead Content (ANSI/NSF 372)

Please send your comments by April 29, 2013 to Reinaldo Balbino Figueiredo, Senior Program Director, Product Certifier Accreditation, American National Standards Institute, 1899 L Street, NW, 11th Floor, Washington, DC 20036, Fax: 202-293-9287 or e-mail: rfigueir@ansi.org, or Nikki Jackson, Senior Program Manager, Product Certifier Accreditation, American National Standards Institute, 1899 L Street, NW, 11th Floor, Washington, DC 20036, Fax: 202-293-9287 or e-mail: njackson@ansi.org.

# International Organization for Standardization (ISO)

**Calls for US/TAG and US/TAG Administrator**

## ISO/PC 276 – Biotechnology

The ISO Technical Management Board has created a new ISO Technical Committee on Biotechnology (ISO/TC 276). The secretariat has been assigned to DIN (Germany). The new technical committee has the following scope:

Standardization of the following aspects:

- Terms and definitions.
- Analytical methods in the realm of "-omics" technologies, i.e., Proteomics, Metabolomics, Genomics; based on the conceptual framework proposed at the ISO Biotechnology Workshop in October 2011.
- Computing tools, bioinformatics for international comparability and integrability of data.
- Bioresources, Biobanking.
- Bioreactors.
- Metrology aspects of biotechnology (e.g. enzymology).

ISO/TC Biotechnology will work closely with related committees in order to identify demands, standardization gaps, and organize collaborations avoiding duplications and overlapping standardization activities, see proposed list of liaisons.

The committee will not pursue clinical laboratory testing and in vitro diagnostic test systems (as covered by the scope of ISO/TC 212 Clinical laboratory testing and in vitro diagnostic test systems).

The committee will not pursue standardization of forensic science, research, as well as applications for the agricultural, food, and medical industries.

Organizations interested in serving as the US/TAG administrator or participating on the US/TAG should contact ANSI's ISO Team at [isot@ansi.org](mailto:isot@ansi.org).

## ISO/PC 277 – Sustainable Purchasing

The ISO Technical Management Board has created a new ISO Project Committee on Sustainable Purchasing (ISO/PC 277). The secretariat has been assigned to AFNOR (France) and ABNT (Brazil) as part of a twinning arrangement. The new project committee has the following scope:

Standardization in the field of sustainable purchasing.

Organizations interested in serving as the US/TAG administrator or participating on the US/TAG should contact ANSI's ISO Team at [isot@ansi.org](mailto:isot@ansi.org).

## ISO/PC 278 – Anti-Bribery Management System – Requirements

The ISO Technical Management Board has created a new ISO Project Committee on Anti-bribery management system – Requirements (ISO/PC 278). The secretariat has been assigned to BSI (United Kingdom). The new project committee has the following scope:

Standardization in the field of anti-bribery management system – Requirements

Organizations interested in serving as the US/TAG administrator or participating on the US/TAG should contact ANSI's ISO Team at [isot@ansi.org](mailto:isot@ansi.org).

## New Work Item Proposals

### Audit Data Services

**Comment Deadline: April 26, 2013**

SAC (China) has submitted to ISO the attached proposal for a new field of technical activity on Audit Data Services with the following scope statement:

Standardization in the field of Audit data services (ADS), including audit data service terms, audit data acquisition, processing of the audit data, audit data management, the utilization of audit data.

Please note that the proposal seems to indicate that the primary focus would be financial auditing.

Anyone wishing to review the new work item proposal can request a copy of the proposal by contacting ANSI's ISO Team via e-mail: [isot@ansi.org](mailto:isot@ansi.org) with submission of comments to Steve Cornish ([scornish@ansi.org](mailto:scornish@ansi.org)) by close of business on Friday, April 26, 2013.

# U.S. Technical Advisory Group

## Approval of TAG Accreditation

### U.S. TAG to ISO TC 267 – Facilities Management

ANSI's Executive Standards Council (ExSC) has formally approved the accreditation of the U.S. Technical Advisory Group to ISO TC 267, Facilities Management under the Model Operating Procedures for U.S. Technical Advisory Groups to ANSI for ISO Activities (as contained in Annex A of the ANSI International Procedures) and with ANSI (with technical and financial support from the International Facility Management Association) serving as TAG Administrator. For additional information, please contact: Mr. Jason Knopes, Sr. Manager, ISO Outreach & Enhanced Services, ANSI, 25 West 43rd Street, 4th Floor, New York, NY 10036; phone: 646.460.7897; e-mail: [jknopes@ansi.org](mailto:jknopes@ansi.org).

# Information Concerning

## International Organization for Standardization (ISO)

### Call for International (ISO) Secretariat

#### ISO/TC 146/SC 5 Meteorology

Currently, the U.S. holds a leadership position as secretariat of ISO/TC 146/SC 5 (Meteorology). ANSI has delegated the responsibility for the administration of the secretariat for ISO/TC 146/SC 5 to ASTM International. ASTM International has advised ANSI of its intent to relinquish its role as delegated secretariat for this committee.

ISO/TC 146/SC 5 operates under the following scope:

*Standardization of tools for air quality characterisation of emissions, workspace air, ambient air, indoor air, in particular measurement methods for air pollutants (particles, gases, odours, micro-organisms) and for meteorological parameters, measurement planning, procedures for Quality Assurance/Quality Control (QA/QC) and methods for the evaluation of results including the determination of uncertainty.*

*Excluded :*

- the establishment of limit values for air pollutants;*
- the air quality in clean rooms;*
- radioactive substances.*

ANSI is seeking organizations in the U.S. that may be interested in assuming the role of delegated secretariat for ISO/TC 146/SC 5. Alternatively, ANSI may be assigned the responsibility for administering an ISO secretariat. Any request that ANSI accept direct administration of an ISO secretariat shall demonstrate that:

1. The affected interests have made a financial commitment for not less than three years covering all defined costs incurred by ANSI associated with holding the secretariat;
2. the affected technical sector, organizations or companies desiring that the U.S. hold the secretariat request that ANSI perform this function;
3. the relevant US TAG has been consulted with regard to ANSI's potential role as secretariat; and
4. ANSI is able to fulfill the requirements of a secretariat.

If no U.S. organization steps forward to assume the ISO/TC 146/SC 5 secretariat, or if there is insufficient support for ANSI to assume direct administration of this activity, then ANSI will inform the ISO Central Secretariat that the U.S. will relinquish its leadership of the committee. This will allow ISO to solicit offers from other countries interested in assuming the secretariat role.

Information concerning the United States retaining the role of international secretariat may be obtained by contacting ANSI at [isot@ansi.org](mailto:isot@ansi.org).

# Information Concerning

## International Organization for Standardization (ISO)

### New Work Item

### Occupational Health and Safety Management Systems – Requirements

### Comment Deadline: April 26, 2013

BSI (United Kingdom) has submitted to ISO the attached new work item proposal on Occupational Health and Safety Management Systems – Requirements, with the following scope statement:

This International Standard specifies requirements for an occupational health and safety (OH&S) management system, to enable an organization to control its OH&S risks and improve its OH&S performance. It does not state specific OH&S performance criteria, nor does it give detailed specifications for the design of a management system.

This International Standard is applicable to any organization that wishes to:

- a) establish an OH&S management system to eliminate or minimize risks to personnel and other interested parties who could be exposed to OH&S hazards associated with its activities;
- b) implement, maintain and continually improve an OH&S management system;
- c) assure itself of its conformity with its stated OH&S policy;
- d) demonstrate conformity with this International Standard.

All the requirements in this International Standard are intended to be incorporated into any OH&S management system. The extent of the application will depend on such factors as the OH&S policy of the organization, the nature of its activities and the risks and complexity of its operations.

This International Standard is intended to address occupational health and safety management systems, and is not intended to address other health and safety areas such as employee wellbeing/wellness programs, product safety, property damage or environmental impacts.

Anyone wishing to review the new work item proposal can request a copy of the proposal by contacting ANSI's ISO Team via email: [isot@ansi.org](mailto:isot@ansi.org) with submission of comments to Steve Cornish ([scornish@ansi.org](mailto:scornish@ansi.org)) by close of business on Friday, April 26, 2013.



**BSR/ASHRAE Addendum r  
to ANSI/ASHRAE Standard 55-2010**

**Public Review Draft**

**Proposed Addendum r to  
Standard 55-2010, Thermal  
Environmental Conditions  
for Human Occupancy**

**First Public Review (March 2013)  
(Draft shows Proposed Changes to Current Standard)**

This draft has been recommended for public review by the responsible project committee. To submit a comment on this proposed standard, go to the ASHRAE website at [www.ashrae.org/standards-research-technology/public-review-drafts](http://www.ashrae.org/standards-research-technology/public-review-drafts) and access the online comment database. The draft is subject to modification until it is approved for publication by the Board of Directors and ANSI. Until this time, the current edition of the standard (as modified by any published addenda on the ASHRAE website) remains in effect. The current edition of any standard may be purchased from the ASHRAE Online Store at [www.ashrae.org/bookstore](http://www.ashrae.org/bookstore) or by calling 404-636-8400 or 1-800-727-4723 (for orders in the U.S. or Canada).

This standard is under continuous maintenance. To propose a change to the current standard, use the change submittal form available on the ASHRAE website, [www.ashrae.org](http://www.ashrae.org).

The appearance of any technical data or editorial material in this public review document does not constitute endorsement, warranty, or guaranty by ASHARE of any product, service, process, procedure, or design, and ASHRAE expressly disclaims such.

© 2013 ASHRAE. This draft is covered under ASHRAE copyright. Permission to reproduce or redistribute all or any part of this document must be obtained from the ASHRAE Manager of Standards, 1791 Tullie Circle, NE, Atlanta, GA 30329. Phone: 404-636-8400, Ext. 1125. Fax: 404-321-5478. E-mail: [standards.section@ashrae.org](mailto:standards.section@ashrae.org).

**ASHRAE, 1791 Tullie Circle, NE, Atlanta GA 30329-2305**

BSR/ASHRAE Addendum r to ANSI/ASHRAE Standard 55-2010, *Thermal Environmental Conditions for Human Occupancy*  
 First Public Review Draft

**(This foreword is not part of this standard. It is merely informative and does not contain requirements necessary for conformance to the standard. It has not been processed according to the ANSI requirements for a standard and may contain material that has not been subject to public review or a consensus process. Unresolved objectors on informative material are not offered the right to appeal at ASHRAE or ANSI.)**

## FOREWORD

*This proposed addendum adds a requirement that design calculations shall use generally accepted engineering standards. The following definition is reproduced from ASHRAE/IES Standard 90.1-2010 for the convenience of reviewers:*

***generally accepted engineering standard:*** a specification, rule, guide, or procedure in the field of engineering, or related thereto, recognized and accepted as authoritative.

***[Note to Reviewers: This addendum makes proposed changes to the current standard. These changes are indicated in the text by underlining (for additions) and ~~striketrough~~ (for deletions) except where the reviewer instructions specifically describe some other means of showing the changes. Only these changes to the current standard are open for review and comment at this time. Additional material is provided for context only and is not open for comment except as it relates to the proposed changes.]***

## Addendum r to 55-2010

---

***Add the following to Section 3 DEFINITIONS:***

***generally accepted engineering standard:*** See ASHRAE/IES Standard 90.1<sup>X</sup>

***Modify Section 6 DESIGN COMPLIANCE as shown below.***

**6.2 Documentation.** The method and design conditions appropriate for the intended use of the building shall be selected and documented as follows.

7. Air speed, radiant temperature asymmetry, vertical air temperature difference, surface temperatures, and temperature variations with time shall be determined in accordance with generally accepted engineering standards (e.g. ASHRAE Handbook – HVAC Applications, Chapter “Room Air Distribution.”) The method used and quantified selection criteria, characteristics, sizes and indices that are applicable to the method shall be stated.

***Add the following to Section 8 REFERENCES:***

<sup>X</sup>ASHRAE/IES Standard 90.1-2010, *Energy Standard for Buildings Except Low-Rise Residential Buildings*. ASHRAE, Atlanta, GA.



**BSR/ASHRAE/IES Addendum cv  
to ANSI/ASHRAE/IES Standard 90.1-2010**

**Public Review Draft**  
**Proposed Addendum cv to Standard  
90.1-2010, *Energy Standard for  
Buildings Except Low-Rise  
Residential Buildings***

**First Public Review (March 2013)  
(Draft shows Proposed Changes to Current Standard)**

This draft has been recommended for public review by the responsible project committee. To submit a comment on this proposed standard, go to the ASHRAE website at [www.ashrae.org/standards-research-technology/public-review-drafts](http://www.ashrae.org/standards-research-technology/public-review-drafts) and access the online comment database. The draft is subject to modification until it is approved for publication by the Board of Directors and ANSI. Until this time, the current edition of the standard (as modified by any published addenda on the ASHRAE website) remains in effect. The current edition of any standard may be purchased from the ASHRAE Online Store at [www.ashrae.org/bookstore](http://www.ashrae.org/bookstore) or by calling 404-636-8400 or 1-800-727-4723 (for orders in the U.S. or Canada).

This standard is under continuous maintenance. To propose a change to the current standard, use the change submittal form available on the ASHRAE website, [www.ashrae.org](http://www.ashrae.org).

The appearance of any technical data or editorial material in this public review document does not constitute endorsement, warranty, or guaranty by ASHARE of any product, service, process, procedure, or design, and ASHRAE expressly disclaims such.

© 2012 ASHRAE. This draft is covered under ASHRAE copyright. Permission to reproduce or redistribute all or any part of this document must be obtained from the ASHRAE Manager of Standards, 1791 Tullie Circle, NE, Atlanta, GA 30329. Phone: 404-636-8400, Ext. 1125. Fax: 404-321-5478. E-mail: [standards.section@ashrae.org](mailto:standards.section@ashrae.org).

**ASHRAE, 1791 Tullie Circle, NE, Atlanta GA 30329-2305**

BSR/ASHRAE/IES Addendum cv to ANSI/ASHRAE/IESNA Standard 90.1-2010, *Energy Standard for Buildings Except Low-Rise Residential Buildings*  
 First Public Review Draft

**(This foreword is not part of this standard. It is merely informative and does not contain requirements necessary for conformance to the standard. It has not been processed according to the ANSI requirements for a standard and may contain material that has not been subject to public review or a consensus process. Unresolved objectors on informative material are not offered the right to appeal at ASHRAE or ANSI.)**

## FOREWORD

*This Addendum develops baseline energy use guidance for Public Assembly spaces toward assessing energy performance achievement of a proposed building. Public Assembly spaces are typically designed and operated quite differently than the surrounding building that supports these spaces. This Addendum provides a list of the intended Public Assembly spaces and defines the baseline mechanical system for these spaces.*

*[Note to Reviewers: This addendum makes proposed changes to the current standard. These changes are indicated in the text by underlining (for additions) and ~~striketrough~~ (for deletions) except where the reviewer instructions specifically describe some other means of showing the changes. Only these changes to the current standard are open for review and comment at this time. Additional material is provided for context only and is not open for comment except as it relates to the proposed changes.]*

## Addendum cv to 90.1-2010

---

*Modify Appendix G as follows (IP and SI Units)*

*Note: Addendum ct further modifies the requirements of G3.1.1. Those changes are not shown in this addendum.*

**G3.1.1 Baseline HVAC System Type and Description.** HVAC systems in the *baseline building design* shall be based on usage, number of floors, conditioned floor area, and heating source as specified in Table G3.1.1A and with the system descriptions in Table G3.1.1B. For systems 1, 2, 3, ~~and 4~~, 11 and 12, each thermal block shall be modeled with its own HVAC system. For systems 5, 6, 7, 8, 9, and 10 each floor shall be modeled with a separate HVAC system. Floors with identical thermal blocks can be grouped for modeling purposes.

### Exceptions:

- a. Use additional system type(s) for nonpredominant conditions (i.e., residential/nonresidential or heating source) if those conditions apply to more than 20,000 ft<sup>2</sup> (1858 m<sup>2</sup>) of conditioned floor area.
- b. If the baseline HVAC system type is 5, 6, 7, 8, 9, ~~or 10~~, 11 or 12 use separate single-zone systems conforming with the requirements of System 3 or System 4 (depending on building heating source) for any spaces that have occupancy or process loads or schedules that differ significantly from the rest of the building. Peak thermal loads that differ by 10 Btu/h·ft<sup>2</sup> (0.98 kJ/h·m<sup>2</sup>) or more from the average of other spaces served by the system or schedules that differ by more than 40 equivalent full-load hours per week from other spaces served by the system are considered to differ significantly. Examples where this exception may be applicable include, but are not limited to, computer server rooms, natatoriums, and continually occupied security areas.

BSR/ASHRAE/IES Addendum cv to ANSI/ASHRAE/IESNA Standard 90.1-2010, *Energy Standard for Buildings Except Low-Rise Residential Buildings*

## First Public Review Draft

**TABLE G3.1.1A Baseline HVAC System Types (IP units)**

Building Type	Fossil Fuel, Fossil/Electric Hybrid, and	Electric and Other
	Purchased Heat	
Residential	System 1—PTAC	System 2—PTHP
Public Assembly < 120,000 ft <sup>2</sup>	System 3—PSZ-AC	System 4—PSZ-HP
Public Assembly ≥ 120,000 ft <sup>2</sup>	System 11—SZ-CV-HW	System 12—SZ-CV-ER
<u>Other</u> Nonresidential and 3 Floors or Less and <25,000 ft <sup>2</sup>	System 3—PSZ-AC	System 4—PSZ-HP
<u>Other</u> Nonresidential and 4 or 5 Floors and <25,000 ft <sup>2</sup> or 5 Floors or Less and 25,000 ft <sup>2</sup> to 150,000 ft <sup>2</sup>	System 5—Packaged VAV with Reheat	System 6—Packaged VAV with PFP Boxes
<u>Other</u> Nonresidential and More than 5 Floors or >150,000 ft <sup>2</sup>	System 7—VAV with Reheat	System 8—VAV with PFP Boxes
Heated Only Storage	System 9—Heating and Ventilation	System 10—Heating and Ventilation

**Notes:**

Residential building types include dormitory, hotel, motel, and multifamily. Residential space types include guest rooms, living quarters, private living space, and sleeping quarters. Other building and space types are considered nonresidential.

Where no heating system is to be provided or no heating energy source is specified, use the “Electric and Other” heating source classification.

Where attributes make a building eligible for more than one *baseline* system type, use the predominant condition to determine the system type for the entire building except as noted in Exception a to Section G3.1.1.

For laboratory spaces in a building having a total laboratory exhaust rate greater than 5000 cfm, use a single system of type 5 or 7 serving only those spaces. For all-electric buildings, the heating shall be electric resistance.

Public Assembly Building Types include houses of worship, auditoriums, movie theaters, performance theaters, concert halls, arenas, enclosed stadiums, ice rinks, gymnasiums, convention centers, exhibition centers and natatoriums.

**TABLE G3.1.1A Baseline HVAC System Types (SI units)**

Building Type	Fossil Fuel, Fossil/Electric Hybrid, and	Electric and Other
	Purchased Heat	
Residential	System 1—PTAC	System 2—PTHP
Public Assembly < 11,148 m <sup>2</sup>	System 3—PSZ-AC	System 4—PSZ-HP
Public Assembly ≥ 11,148 m <sup>2</sup>	System 11—SZ-CV-HW	System 12—SZ-CV-ER
<u>Other</u> Nonresidential and 3 Floors or Less and <2322 m <sup>2</sup>	System 3—PSZ-AC	System 4—PSZ-HP
<u>Other</u> Nonresidential and 4 or 5 Floors and <2322 m <sup>2</sup> or 5 Floors or Less and 2322 m <sup>2</sup> to 13,935 m <sup>2</sup>	System 5—Packaged VAV with Reheat	System 6—Packaged VAV with PFP Boxes
<u>Other</u> Nonresidential and More than 5 Floors or >13,935 m <sup>2</sup>	System 7—VAV with Reheat	System 8—VAV with PFP Boxes
Heated Only Storage	System 9—Heating and Ventilation	System 10—Heating and Ventilation

**Notes:**

Residential building types include dormitory, hotel, motel, and multifamily. Residential space types include guest rooms, living quarters, private living space, and sleeping quarters. Other building and space types are considered nonresidential.

Where no heating system is to be provided or no heating energy source is specified, use the “Electric and Other” heating source classification.

Where attributes make a building eligible for more than one *baseline* system type, use the predominant condition to determine the system type for the entire building except as noted in Exception a to Section G3.1.1.

For laboratory spaces in a building having a total laboratory exhaust rate greater than 2.36 m<sup>3</sup>/sec, use a single system of type 5 or 7 serving only those spaces. For all-electric buildings, the heating shall be electric resistance.

Public Assembly Building Types include houses of worship, auditoriums, movie theaters, performance theaters, concert halls, arenas, enclosed stadiums, ice rinks, gymnasiums, convention centers, exhibition centers and natatoriums. More specifically these building types are described in IBC Chapter 3 as Use Group A-1, A-3, A-4 and A-5.



BSR/ASHRAE/IES Addendum cv to ANSI/ASHRAE/IESNA Standard 90.1-2010, *Energy Standard for Buildings Except Low-Rise Residential Buildings*

First Public Review Draft

**TABLE G3.1.1B Baseline System Descriptions**

System No.	System Type	Fan Control	Cooling Type	Heating Type	
1.	PTAC	Packaged terminal air conditioner	Constant volume	Direct expansion	Hot-water fossil fuel boiler
2.	PTHP	Packaged terminal heat pump	Constant volume	Direct expansion	Electric heat pump
3.	PSZ-AC	Packaged rooftop air conditioner	Constant volume	Direct expansion	Fossil fuel furnace
4.	PSZ-HP	Packaged rooftop heat pump	Constant volume	Direct expansion	Electric heat pump
5.	Packaged VAV with Reheat	Packaged rooftop VAV with reheat	VAV	Direct expansion	Hot-water fossil fuel boiler
6.	Packaged VAV with PFP Boxes	Packaged rooftop VAV with parallel fan power boxes and reheat	VAV	Direct expansion	Electric resistance
7.	VAV with Reheat	Packaged rooftop VAV with reheat	VAV	Chilled water	Hot-water fossil fuel boiler
8.	VAV with PFP Boxes	VAV with parallel fan-powered boxes and reheat	VAV	Chilled water	Electric resistance
9.	Heating and Ventilation	Warm air furnace, gas fired	Constant volume	None	Fossil fuel furnace
10.	Heating and Ventilation	Warm air furnace, electric	Constant volume	None	Electric resistance
11.	<u>SZ-CV-HW</u>	<u>Single zone</u>	<u>Constant volume</u>	<u>Chilled water</u>	<u>Hot-water fossil fuel boiler</u>
12.	<u>SZ-CV-ER</u>	<u>Single zone</u>	<u>Constant volume</u>	<u>Chilled water</u>	<u>Electric resistance</u>

**Note:**

For purchased chilled water and purchased heat, see G3.1.1.3.

**G3.1.2.7 Economizers.** Outdoor air economizers shall not be included in *baseline* HVAC Systems 1, 2, 9, and 10. *Outdoor air* economizers shall be included in *baseline* HVAC Systems 3 through 8 and 11 and 12 based on climate as specified in Table G3.1.2.6A.

**G3.1.2.9.1 Baseline All System Types 1 through 8 except System Types 9 and 10.** System design supply air flow rates for the *baseline building design* shall be based on a supply-air-to-room-air temperature difference of 20°F (11.1°C) or the minimum outdoor air flow rate, or the air flow rate required to comply with applicable codes or accreditation standards, whichever is greater. If return or relief fans are specified in the *proposed design*, the *baseline building design* shall also be modeled with fans serving the same functions and sized for the *baseline* system supply fan air quantity less the minimum *outdoor air*, or 90% of the supply fan air quantity, whichever is larger.

**G3.1.2.10 System Fan Power.** System fan electrical power for supply, return, exhaust, and relief (excluding power to fan-powered VAV boxes) shall be calculated using the following formulas:

For Systems 1 and 2,  
(formula in IP units)

$$P_{fan} = CFMs \times 0.3 \text{ For systems 3 through 8, } \underline{11 \text{ and } 12},$$

$$P_{fan} = bhp \times 746 / \text{Fan Motor Efficiency}$$

BSR/ASHRAE/IES Addendum cv to ANSI/ASHRAE/IESNA Standard 90.1-2010, *Energy Standard for Buildings Except Low-Rise Residential Buildings*

First Public Review Draft

*(formula in SI units)*

$P_{fan} = (\text{cubic meters per second}) \times 1.4158\text{e-}4$  For systems 3 through 8, 11 and 12,

$P_{fan} = (\text{watts}) / \text{Fan Motor Efficiency}$

**G3.1.3.3 Hot-Water Supply Temperature (Systems 1, 5, 7 and 117).** Hot-water design supply temperature shall be modeled as 180°F (82°C) and design return temperature as 130°F (54.4°C).

**G3.1.3.4 Hot-Water Supply Temperature Reset (Systems 1, 5, 7 and 117).** Hot-water supply temperature shall be reset based on outdoor dry-bulb temperature using the following schedule: 180°F(82°C) at 20°F (-6.7°C) and below, 150°F (11.1°C) at 50°F (11.1°C) and above,

**TABLE G3.1.2.6A Climate Conditions under  
which Economizers are Included for  
Baseline Systems 3 through 8, 11 and 12**

*.remainder of the table is unchanged.*

**G3.1.3.7 Type and Number of Chillers (Systems ~~7-and~~ , 8, 11 and 12).** Electric chillers shall be used in the *baseline building design* regardless of the cooling energy source, e.g. direct fired absorption or absorption from purchased steam. The *baseline building design*'s chiller plant shall be modeled with chillers having the number and type as indicated in Table G3.1.3.7 as a function of building peak cooling load.

**Exception:** Systems using purchased chilled water shall be modeled in accordance with Section G3.1.1.3.

**G3.1.3.8 Chilled-Water Design Supply Temperature (Systems ~~7-and~~ , 8, 11 and 12).** Chilled-water design supply temperature shall be modeled at 44°F(6.7°C) and return water temperature at 56°F(13.3°C).

**G3.1.3.9 Chilled-Water Supply Temperature Reset (Systems ~~7-and~~ , 8, 11 and 12).** Chilled-water supply temperature shall be reset based on outdoor dry-bulb temperature using the following schedule: 44°F(6.7°C) at 80°F (26.7°C) and above, 54°F (12.2°C) at 60°F (15.6°C) and below, and ramped linearly between 44°F (6.7°C) and 54°F at temperatures between 80°F(26.7°C) and 60°F(15.6°C).

**G3.1.3.11 Heat Rejection (Systems ~~7 and~~, 8, 11 and 12).** The heat rejection device shall be an axial fan cooling tower with two-speed fans, and shall meet the performance requirements of Table 6.8.1G. Condenser water design supply temperature shall be 85°F (29.4°C) or 10°F (5.5°C) approaching design wet-bulb temperature, whichever is lower, with a design temperature rise of 10°F (5.5°C). The tower shall be controlled to maintain a 70°F (21°C) leaving water temperature where weather permits, floating up to leaving water temperature at design conditions. The *baseline building design* condenser-water pump power shall be 19 W/gpm (1.19 W/lps). Each chiller shall be modeled with separate condenser water and chilled-water pumps interlocked to operate with the associated chiller.

# Public Review Draft

Proposed Addendum ad to Standard 189.1-2011

# Standard for the Design of High-Performance Green Buildings Except Low-Rise Residential Buildings

First Public Review (March 2013)  
(Draft Shows Proposed Changes to Current Standard)

This draft has been recommended for public review by the responsible project committee. To submit a comment on this proposed standard, go to the ASHRAE website at [www.ashrae.org/standards-research-technology/public-review-drafts](http://www.ashrae.org/standards-research-technology/public-review-drafts) and access the online comment database. The draft is subject to modification until it is approved for publication by the Board of Directors and ANSI. Until this time, the current edition of the standard (as modified by any published addenda on the ASHRAE website) remains in effect. The current edition of any standard may be purchased from the ASHRAE Online Store at [www.ashrae.org/bookstore](http://www.ashrae.org/bookstore) or by calling 404-636-8400 or 1-800-727-4723 (for orders in the U.S. or Canada).

The appearance of any technical data or editorial material in this public review document does not constitute endorsement, warranty, or guaranty by ASHRAE of any product, service, process, procedure, or design, and ASHARE expressly disclaims such.

© 2013 ASHRAE. This draft is covered under ASHRAE copyright. Permission to reproduce or redistribute all or any part of this document must be obtained from the ASHRAE Manager of Standards, 1791 Tullie Circle, NE, Atlanta, GA 30329. Phone: 404-636-8400, Ext. 1125. Fax: 404-321-5478. E-mail: [standards.section@ashrae.org](mailto:standards.section@ashrae.org).

ASHRAE, 1791 Tullie Circle, NE, Atlanta GA 30329-2305



BSR/ASHRAE/USGBC/IES Addendum ad to ANSI/ASHRAE/USGBC/IES Standard 189.1-2011,  
Standard for the Design of High-Performance Green Buildings Except Low-Rise Residential Buildings  
First Public Review Draft

**(This foreword is not part of this standard. It is merely informative and does not contain requirements necessary for conformance to the standard. It has not been processed according to the ANSI requirements for a standard and may contain material that has not been subject to public review or a consensus process. Unresolved objectors on informative material are not offered the right to appeal at ASHRAE or ANSI.)**

## FOREWORD

*This addendum adds a new requirement to the site sustainability section in the Plans for Operation to include a plan for the formal maintenance of roofs that were used to demonstrate compliance with this standard. The performance of a high SRI roof is dependent on both its aged performance characteristics and the correct implementation of a cleaning and maintenance regimen. This addendum is directed specifically towards the cleaning of the roof and it is proposed that the cleaning procedures comply with the manufacturers recommendations.*

***Note: In this addendum, changes to the current standard are indicated in the text by underlining (for additions) and ~~striketrough~~ (for deletions) unless the instructions specifically mention some other means of indicating the changes. Only these changes are open for review and comment at this time. Additional material is provided for context only and is not open for comment except as it relates to the proposed substantive changes.***

## Addendum ad to 189.1-2011

---

*Modify Section 10.3.2.1.1 as follows:*

10.3.2.1.1 Site Sustainability. A *site* sustainability portion of the Plan for Operation shall be developed and contain the following provisions.

a. When trees and vegetation are used to comply with the shade requirements of Section 5.3.2.1, 5.4 or 5.5, the Plan for Operation shall include the maintenance procedures needed to maintain healthy vegetation growth. The Plan shall also outline the procedures for replacing any vegetation used to comply with the provisions in Section 5.

b. For roof materials selected to comply with the requirements of Section 5.3.2.3, the Plan for Operation shall include the maintenance procedures for keeping the roof surfaces cleaned in accordance with manufacturer's recommendations.

# Public Review Draft

Proposed Addendum ae to Standard 189.1-2011

# Standard for the Design of High-Performance Green Buildings Except Low-Rise Residential Buildings

First Public Review (March 2013)  
(Draft Shows Proposed Changes to Current Standard)

This draft has been recommended for public review by the responsible project committee. To submit a comment on this proposed standard, go to the ASHRAE website at [www.ashrae.org/standards-research-technology/public-review-drafts](http://www.ashrae.org/standards-research-technology/public-review-drafts) and access the online comment database. The draft is subject to modification until it is approved for publication by the Board of Directors and ANSI. Until this time, the current edition of the standard (as modified by any published addenda on the ASHRAE website) remains in effect. The current edition of any standard may be purchased from the ASHRAE Online Store at [www.ashrae.org/bookstore](http://www.ashrae.org/bookstore) or by calling 404-636-8400 or 1-800-727-4723 (for orders in the U.S. or Canada).

The appearance of any technical data or editorial material in this public review document does not constitute endorsement, warranty, or guaranty by ASHRAE of any product, service, process, procedure, or design, and ASHRAE expressly disclaims such.

© 2013 ASHRAE. This draft is covered under ASHRAE copyright. Permission to reproduce or redistribute all or any part of this document must be obtained from the ASHRAE Manager of Standards, 1791 Tullie Circle, NE, Atlanta, GA 30329. Phone: 404-636-8400, Ext. 1125. Fax: 404-321-5478. E-mail: [standards.section@ashrae.org](mailto:standards.section@ashrae.org).

ASHRAE, 1791 Tullie Circle, NE, Atlanta GA 30329-2305



BSR/ASHRAE/USGBC/IES Addendum ae to ANSI/ASHRAE/USGBC/IES Standard 189.1-2011,  
Standard for the Design of High-Performance Green Buildings Except Low-Rise Residential Buildings  
First Public Review Draft

**(This foreword is not part of this standard. It is merely informative and does not contain requirements necessary for conformance to the standard. It has not been processed according to the ANSI requirements for a standard and may contain material that has not been subject to public review or a consensus process. Unresolved objectors on informative material are not offered the right to appeal at ASHRAE or ANSI.)**

## FOREWORD

This addendum allows the California Air Resources Board (CARB) Suggested Control Measure for Architectural Coatings (SCM) as an alternative compliance path to SCAQMD Rule 1113 for the VOC content requirements of paints and coatings. In addition, since the CARB SCM covers more interior paint categories than GS-11 and SCAQMD Rule 1113, the addendum allows the CARB SCM for compliance with those categories not previously covered in 189.1. No new alternatives are offered for compliance with the product categories covered by GS-11, since GS-11 has health requirements not covered in the CARB SCM or SCAQMD Rule 1113. A key motivation for this addendum was a Continuous Maintenance Proposal that was submitted to the project committee that noted the value of including the CARB SCM requirements as an option given their widespread use within the paints and coatings industry and by those specifying such products in buildings. In addition, this addendum clarifies which products are covered to be more consistent with the referenced requirements and specifies which sections of several Green Seal standards are relevant to the requirements in Standard 189.1. With respect to this latter change, the current wording of the standard could be interpreted as requiring compliance with all sections of the referenced Green Seal standards rather than with just the relevant sections.

***Note: In this addendum, changes to the current standard are indicated in the text by underlining (for additions) and ~~striketrough~~ (for deletions) unless the instructions specifically mention some other means of indicating the changes. Only these changes are open for review and comment at this time. Additional material is provided for context only and is not open for comment except as it relates to the proposed substantive changes.***

## Addendum ae to 189.1-2011

---

*Modify Section 8.4.2 as follows:*

**8.4.2.1 Adhesives and Sealants.** Products in this category include carpet, resilient, and wood flooring adhesives; base cove adhesives; ceramic tile adhesives; dry wall and panel adhesives; aerosol adhesives; adhesive primers; acoustical sealants; firestop sealants; HVAC air duct sealants, sealant primers; and caulks. All adhesives and sealants used on the interior of the building (defined as inside of the *weatherproofing system* and applied on-site) shall comply with the requirements of either Section 8.4.2.1.1 or 8.4.2.1.2:

**8.4.2.1.1 Emissions Requirements.** Emissions shall be determined according to CDPH/EHLB/Standard Method V1.1 (commonly referred to as ~~California Section 01350~~

BSR/ASHRAE/USGBC/IES Addendum ae to ANSI/ASHRAE/USGBC/IES Standard 189.1-2011,  
Standard for the Design of High-Performance Green Buildings Except Low-Rise Residential Buildings  
First Public Review Draft

California Section 01350) and shall comply with the limit requirements for either office or *classroom* spaces regardless of the space type.

**8.4.2.1.2 VOC Content Requirements.** VOC content shall comply with and shall be determined according to the following limit requirements:

- a. Adhesives, sealants and sealant primers: SCAQMD Rule 1168. HVAC duct sealants shall be classified as “Other” category within the SCAQMD Rule 1168 sealants table.
- b. Aerosol adhesives: Section 3 of Green Seal Standard GS-36.

**Exceptions:** The following solvent welding and sealant products are not required to meet the emissions or the VOC content requirements listed above.

1. Cleaners, solvent cements, and primers used with plastic piping and conduit in plumbing, fire suppression, and electrical systems.
2. HVAC air duct sealants when the air temperature of the space in which they are applied is less than 40°F (4.5°C).

**8.4.2.2 Paints and Coatings.** Products in this category include anticorrosive coatings, basement specialty coatings, concrete/masonry sealers, concrete curing compounds, dry fog coatings, faux finishing coatings, fire resistive coatings, flat and non-flat topcoats ~~paints and coatings, non flat paints and coatings,~~ floor sealers and coatings, graphic arts (sign) coatings, high temperature coatings, industrial maintenance coatings, low solids coatings, mastic texture coatings, metallic pigmented coatings, multi-color coatings, pre-treatment wash primers, primers, reactive penetrating sealers, recycled coatings, shellacs (clear and opaque), specialty primers, stains, wood coatings (clear wood finishes), ~~rust preventative coatings,~~ stone consolidants, swimming pool coatings , tub and tile refining coatings, undercoaters, waterproofing sealers membranes, wood preservatives, and zinc primers. Paints and coatings used on the interior of the building (defined as inside of the *weatherproofing system* and applied on-site) shall comply with either Section 8.4.2.2.1 or 8.4.2.2.2.

**8.4.2.2.1 Emissions Requirements.** Emissions shall be determined according to CDPH/EHLB/Standard Method V1.1 (commonly referred to as California Section 01350) and shall comply with the limit requirements for either office or classroom spaces regardless of the space type.

**8.4.2.2.2 VOC Content Requirements.** VOC content shall comply with and be determined according to the following limit requirements:

- a. ~~Architectural paints~~ Flat and non-flat topcoats, ~~coatings and primers, undercoaters, and anticorrosive coatings applied to interior surfaces:~~ Section 3 of Green Seal Standard GS-11.
- b. Concrete/masonry sealers (waterproofing concrete/masonry sealers), concrete curing compounds, dry fog coatings, faux finishing coatings, fire resistive coatings, floor coatings, graphic arts (sign) coatings, industrial maintenance coatings, mastic texture coatings, metallic pigmented coatings, multi-color coatings, pre-treatment wash primers, reactive penetrating sealers, recycled coatings, shellacs (clear and opaque), specialty primers, stains, wood coatings (clear wood finishes), wood preservatives, zinc

BSR/ASHRAE/USGBC/IES Addendum ae to ANSI/ASHRAE/USGBC/IES Standard 189.1-2011,  
Standard for the Design of High-Performance Green Buildings Except Low-Rise Residential Buildings  
First Public Review Draft

primers, and: California Air Resources Board Suggested Control Measure for Architectural Coatings or SCAQMD Rule 1113.

- c. Basement specialty coatings, high temperature coatings, low solids coatings, stone consolidants, swimming pool coatings, tub and tile refinishing coatings, waterproofing membranes: California Air Resources Board Suggested Control Measure for Architectural Coatings.

## 11. NORMATIVE REFERENCES

Section numbers indicate where the reference occurs in this document.

Reference	Title	Section
<b>California Air Resources Board (CARB)</b> 1001 "I" Street P.O. Box 2815 Sacramento, CA 95812, United States 1-916-322-2990; <a href="http://www.arb.ca.gov/homepage.htm">www.arb.ca.gov/homepage.htm</a>		
<u>CARB SCM for Architectural Coatings-2007</u>	<u>California Air Resources Board (ARB) Suggested Control Measure for Architectural Coatings</u>	<u>8.4.2.2.2</u>
<b>Green Seal</b> 1001 Connecticut Avenue, NW, Suite 827 Washington, DC 20036-5525, United States 1-202-872-6400; <a href="http://www.greenseal.org">www.greenseal.org</a>		
<u>GS-11, <del>May 12, 2008</del> 3<sup>rd</sup> edition, January 1, 2010</u>	Environmental Standard for Paints and Coatings	8.4.2.2.2
<u>GS-36, <del>October 19, 2000</del> 2<sup>nd</sup> edition, September 1, 2011</u>	Standard for Commercial Adhesives	8.4.2.1.2
<u>GS-42, <del>September 1, 2006</del> 2<sup>nd</sup> edition, October 14, 2011</u>	Environmental Standard for Cleaning Services	10.3.2.1.4.6
<b>South Coast Air Quality Management District (SCAQMD)</b> <b>California Air Resources Board</b> 1001 "I" Street P.O. Box 2815 Sacramento, CA 95812, United States 1-916-322-2990; <a href="http://www.arb.ca.gov">www.arb.ca.gov</a>		
<u>SCAQMD Rule 1113, Amended <del>July 13, 2007</del> June 3, 2011</u>	Architectural Coatings	8.4.2.2
<u>SCAQMD Rule 1168, Amended January 7, 2005</u>	Adhesive and Sealant Applications	8.4.2.1



# Public Review Draft

Proposed Addendum af to Standard 189.1-2011

# Standard for the Design of High-Performance Green Buildings Except Low-Rise Residential Buildings

First Public Review (March 2013)  
(Draft Shows Proposed Changes to Current Standard)

This draft has been recommended for public review by the responsible project committee. To submit a comment on this proposed standard, go to the ASHRAE website at [www.ashrae.org/standards-research-technology/public-review-drafts](http://www.ashrae.org/standards-research-technology/public-review-drafts) and access the online comment database. The draft is subject to modification until it is approved for publication by the Board of Directors and ANSI. Until this time, the current edition of the standard (as modified by any published addenda on the ASHRAE website) remains in effect. The current edition of any standard may be purchased from the ASHRAE Online Store at [www.ashrae.org/bookstore](http://www.ashrae.org/bookstore) or by calling 404-636-8400 or 1-800-727-4723 (for orders in the U.S. or Canada).

The appearance of any technical data or editorial material in this public review document does not constitute endorsement, warranty, or guaranty by ASHRAE of any product, service, process, procedure, or design, and ASHARE expressly disclaims such.

© 2013 ASHRAE. This draft is covered under ASHRAE copyright. Permission to reproduce or redistribute all or any part of this document must be obtained from the ASHRAE Manager of Standards, 1791 Tullie Circle, NE, Atlanta, GA 30329. Phone: 404-636-8400, Ext. 1125. Fax: 404-321-5478. E-mail: [standards.section@ashrae.org](mailto:standards.section@ashrae.org).

ASHRAE, 1791 Tullie Circle, NE, Atlanta GA 30329-2305



BSR/ASHRAE/USGBC/IES Addendum af to ANSI/ASHRAE/USGBC/IES Standard 189.1-2011, Standard for the Design of High-Performance Green Buildings Except Low-Rise Residential Buildings  
First Public Review Draft.

**(This fore word is not part of this standard. It is merely informative and does not contain requirements necessary for conformance to the standard. It has not been processed according to the ANSI requirements for a standard and may contain material that has not been subject to public review or a consensus process. Unresolved objectors on informative material are not offered the right to appeal at ASHRAE or ANSI.)**

## FOREWORD

*As a result of actions taken by the U.S. Department of Energy and updates to ASHRAE Standard 90.1, the efficiency values shown Table C-12 of Standard 189.1 are no longer higher than the values in Standard 90.1. Values in Table C-12 are now equal to values shown in ASHRAE 90.1.*

*The values in ASHRAE 90.1-2010 were changed to reflect the changes in federal law. More recent addenda to ASHRAE 90.1 have updated the values based on recent DOE notices in the Federal Register.*

*In September 2010, the US Department of Energy (DOE) initiated another rulemaking on the energy efficiency of motors. In July 2012, DOE issued its preliminary analysis and technical support document in the DOE Docket Number EERE-2010-BT-STD-0027, which can be viewed at [www.regulations.gov](http://www.regulations.gov). In August 2012, the National Electrical Manufacturers Association (NEMA, the trade association that represents motor manufacturers) and several energy efficiency and environmental groups filed a joint letter with proposals to further increase efficiency standards of motors (and increase the scope of coverage to other types of motors) starting in January 2015 (<http://aceee.org/press/2012/08/nema-and-energy-efficiency-advocates>). As of January 18, 2013, DOE had not released a Notice of Proposed Rule or Direct Final Rule for the efficiency of these motors.*

*By deleting the text and tables, 189.1 will refer to the 90.1 efficiency values for motors. In addition, this addendum will help to ensure that there are no values in Normative Appendix C that are actually lower than the federal minimum efficiency standards for motors.*

*Note: In this addendum, changes to the current standard are indicated in the text by underlining (for additions) and ~~striketrough~~ (for deletions) unless the instructions specifically mention some other means of indicating the changes. Only these changes are open for review and comment at this time. Additional material is provided for context only and is not open for comment except as it relates to the proposed substantive changes.*

## Addendum af to 189.1-2011

*Modify section 7.4.7 and Table C-12 as follows:*

**7.4.7.1 Electric Motors.** Motors shall comply with the minimum requirements ~~in Table C-12 in Normative Appendix C. These requirements supercede the requirements in Section 10.4.1 and Table 10.8 of ANSI/ASHRAE/IES Standard 90.1.~~

~~TABLE C-12 Minimum Nominal Efficiency for General Purpose Design A and Design B Motors<sup>a</sup>  
(I-P)~~

Number of Poles ==>	Minimum Nominal Full Load Efficiency (%)	
	Open Motors	Enclosed Motors

BSR/ASHRAE/USGBC/IES Addendum af to ANSI/ASHRAE/USGBC/IES Standard 189.1-2011, Standard for the Design of High-Performance Green Buildings Except Low-Rise Residential Buildings  
First Public Review Draft.

	<b>2</b>	<b>4</b>	<b>6</b>	<b>2</b>	<b>4</b>	<b>6</b>
<b>Synchronous Speed (RPM) ==&gt;</b>	<b>3600</b>	<b>1800</b>	<b>1200</b>	<b>3600</b>	<b>1800</b>	<b>1200</b>
<b>Motor Horsepower</b>						
1	77.0	85.5	82.5	77.0	85.5	82.5
1.5	84.0	86.5	86.5	84.0	86.5	87.5
2	85.5	86.5	87.5	85.5	86.5	88.5
3	85.5	89.5	88.5	86.5	89.5	89.5
5	86.5	89.5	89.5	88.5	89.5	89.5
7.5	88.5	91.0	90.2	89.5	91.7	91.0
10	89.5	91.7	91.7	90.2	91.7	91.0
15	90.2	93.0	91.7	91.0	92.4	91.7
20	91.0	93.0	92.4	91.0	93.0	91.7
25	91.7	93.6	93.0	91.7	93.6	93.0
30	91.7	94.1	93.6	91.7	93.6	93.0
40	92.4	94.1	94.1	92.4	94.1	94.1
50	93.0	94.5	94.1	93.0	94.5	94.1
60	93.6	95.0	94.5	93.6	95.0	94.5
75	93.6	95.0	94.5	93.6	95.4	94.5
100	93.6	95.4	95.0	94.1	95.4	95.0
125	94.1	95.4	95.0	95.0	95.4	95.0
150	94.1	95.8	95.4	95.0	95.8	95.8
200	95.0	95.8	95.4	95.4	96.2	95.8
250	95.0	95.8	95.4	95.8	96.2	95.8
300	95.4	95.8	95.4	95.8	96.2	95.8
350	95.4	95.8	95.4	95.8	96.2	95.8
400	95.8	95.8	95.8	95.8	96.2	95.8
450	95.8	96.2	96.2	95.8	96.2	95.8
500	95.8	96.2	96.2	95.8	96.2	95.8

a. Nominal efficiencies shall be established in accordance with NEMA Standard MG1. Design A and Design B are National Electric Manufacturers Association (NEMA) design class designations for fixed frequency small and medium AC squirrel-cage induction motors.

**TABLE C-13 12**

**TABLE C-14 13**

**TABLE C-12 Minimum Nominal Efficiency for General Purpose Design A and Design B Motors<sup>a</sup>**  
**(SI)**

<b>Number of Poles ==&gt;</b>	<b>Minimum Nominal Full-Load Efficiency (%)</b>	
	<b>Open Motors</b>	<b>Enclosed Motors</b>

BSR/ASHRAE/USGBC/IES Addendum af to ANSI/ASHRAE/USGBC/IES Standard 189.1-2011, Standard for the Design of High-Performance Green Buildings Except Low-Rise Residential Buildings  
First Public Review Draft.

	<b>2</b>	<b>4</b>	<b>6</b>	<b>2</b>	<b>4</b>	<b>6</b>
<b>Synchronous Speed (RPM) ==&gt;</b>	<b>3600</b>	<b>1800</b>	<b>1200</b>	<b>3600</b>	<b>1800</b>	<b>1200</b>
<b>Motor Size (kW)</b>						
0.7	77.0	85.5	82.5	77.0	85.5	82.5
1.1	84.0	86.5	86.5	84.0	86.5	87.5
1.5	85.5	86.5	87.5	85.5	86.5	88.5
2.2	85.5	89.5	88.5	86.5	89.5	89.5
3.7	86.5	89.5	89.5	88.5	89.5	89.5
5.6	88.5	91.0	90.2	89.5	91.7	91.0
7.5	89.5	91.7	91.7	90.2	91.7	91.0
11.2	90.2	93.0	91.7	91.0	92.4	91.7
14.9	91.0	93.0	92.4	91.0	93.0	91.7
18.7	91.7	93.6	93.0	91.7	93.6	93.0
22.4	91.7	94.1	93.6	91.7	93.6	93.0
29.8	92.4	94.1	94.1	92.4	94.1	94.1
37.3	93.0	94.5	94.1	93.0	94.5	94.1
44.8	93.6	95.0	94.5	93.6	95.0	94.5
56.0	93.6	95.0	94.5	93.6	95.4	94.5
74.6	93.6	95.4	95.0	94.1	95.4	95.0
93.3	94.1	95.4	95.0	95.0	95.4	95.0
111.9	94.1	95.8	95.4	95.0	95.8	95.8
149.2	95.0	95.8	95.4	95.4	96.2	95.8
186.5	95.0	95.8	95.4	95.8	96.2	95.8
223.8	95.4	95.8	95.4	95.8	96.2	95.8
261.1	95.4	95.8	95.4	95.8	96.2	95.8
298.4	95.8	95.8	95.8	95.8	96.2	95.8
335.7	95.8	96.2	96.2	95.8	96.2	95.8
373.0	95.8	96.2	96.2	95.8	96.2	95.8

a. Nominal efficiencies shall be established in accordance with NEMA Standard MG1. Design A and Design B are National Electric Manufacturers Association (NEMA) design class designations for fixed frequency small and medium AC squirrel-cage induction motors.

**TABLE C-13 12**

**TABLE C-14 13**

# Public Review Draft

Proposed Addendum ag to Standard 189.1-2011

# Standard for the Design of High-Performance Green Buildings Except Low-Rise Residential Buildings

First Public Review (March 2013)  
(Draft Shows Proposed Changes to Current Standard)

This draft has been recommended for public review by the responsible project committee. To submit a comment on this proposed standard, go to the ASHRAE website at [www.ashrae.org/standards-research-technology/public-review-drafts](http://www.ashrae.org/standards-research-technology/public-review-drafts) and access the online comment database. The draft is subject to modification until it is approved for publication by the Board of Directors and ANSI. Until this time, the current edition of the standard (as modified by any published addenda on the ASHRAE website) remains in effect. The current edition of any standard may be purchased from the ASHRAE Online Store at [www.ashrae.org/bookstore](http://www.ashrae.org/bookstore) or by calling 404-636-8400 or 1-800-727-4723 (for orders in the U.S. or Canada).

The appearance of any technical data or editorial material in this public review document does not constitute endorsement, warranty, or guaranty by ASHRAE of any product, service, process, procedure, or design, and ASHRAE expressly disclaims such.

© 2013 ASHRAE. This draft is covered under ASHRAE copyright. Permission to reproduce or redistribute all or any part of this document must be obtained from the ASHRAE Manager of Standards, 1791 Tullie Circle, NE, Atlanta, GA 30329. Phone: 404-636-8400, Ext. 1125. Fax: 404-321-5478. E-mail: [standards.section@ashrae.org](mailto:standards.section@ashrae.org).

ASHRAE, 1791 Tullie Circle, NE, Atlanta GA 30329-2305



BSR/ASHRAE/USGBC/IES Addendum ag to ANSI/ASHRAE/USGBC/IES Standard 189.1-2011, Standard for the Design of High-Performance Green Buildings Except Low-Rise Residential Buildings  
First Public Review Draft.

## FOREWORD

*In the past ASHRAE Standard 90.1 and ASHRAE Standard 189.1 used different terminology and slightly different definitions to refer to the same things. Recent revisions to ASHRAE Standard 90.1 have essentially adopted the same definitions and terminology that are in ASHRAE Standard 189.1. As a result the 189.1 definitions can now reference the same terms in ASHRAE Standard 90.1.*

*The definitions of primary sidelighted area definition in Standard 189.1 was exactly the same wording as in ASHRAE Standard 90.1.*

*The definition for daylight area under roof monitors is the same in ASHRAE 90.1 as in ASHRAE Standard 189.1 except that in the ASHRAE 90.1 standard, the definition includes an additional 2 feet of width on either side of the vertical fenestration (similar to the definition of primary sidelighting areas). This addition is beneficial as mullions and relatively small architectural members in the roof monitor would result in strips of non-daylighted areas within the daylight area under roofmonitors. This oversight in the 189.1 definition would yield an overly complex area of the daylight area under skylights and would be physically incorrect (these strips under the roofmonitors actually do have significant amounts of daylight). Thus adopting the ASHRAE 90.1 definition is an improvement.*

*The definition of the term roof monitor is slightly different in ASHRAE 90.1 than it is in ASHRAE 189.1, but the differences are editorial and do not change the meaning.*

*For comparison the ASHRAE 90.1 (addendum at) definition are included in the “Additional Information” Section at the end of this proposal.*

*Note: In this addendum, changes to the current standard are indicated in the text by underlining (for additions) and ~~striketrough~~ (for deletions) unless the instructions specifically mention some other means of indicating the changes. Only these changes are open for review and comment at this time. Additional material is provided for context only and is not open for comment except as it relates to the proposed substantive changes.*

## Addendum ag to 189.1-2011

*Modify section 3.2 as follows:*

### 3.2 Definitions

*daylight area: area in an enclosed space that is in the primary sidelighted area, daylight area under roof monitors or daylight area under skylights*

*daylight area under roof monitors: see ANSI/ASHRAE/IES Standard 90.1.*

*daylight area under skylights: see ANSI/ASHRAE/IES Standard 90.1.*

- a. ~~primary sidelighted area (See Figure 3.1):~~ The total ~~primary sidelighted area~~ is the combined ~~primary sidelighted area~~ without double counting overlapping areas. The floor area for each ~~primary sidelighted area~~ is directly adjacent to vertical fenestration in*

BSR/ASHRAE/USGBC/IES Addendum ag to ANSI/ASHRAE/USGBC/IES Standard 189.1-2011, Standard for the Design of High-Performance Green Buildings Except Low-Rise Residential Buildings  
First Public Review Draft.

~~exterior wall with an area equal to the product of the *primary sidelighted area* width and the *primary sidelighted area* depth. The *primary sidelighted area* width is the width of the window plus, on each side, the smallest of~~

- ~~1 2 ft (0.6 m) or~~
- ~~2 the distance to any 60 in. (1.5 m) or higher vertical obstruction.~~

~~The *primary sidelighted area* depth is the horizontal distance perpendicular to the glazing which is the smallest of:~~

- ~~1 the distance from the floor to the top of the glazing or~~
- ~~2 the distance to any 60 in (1.5 m) or higher vertical obstruction.~~

Remove the following plan and sectional views:

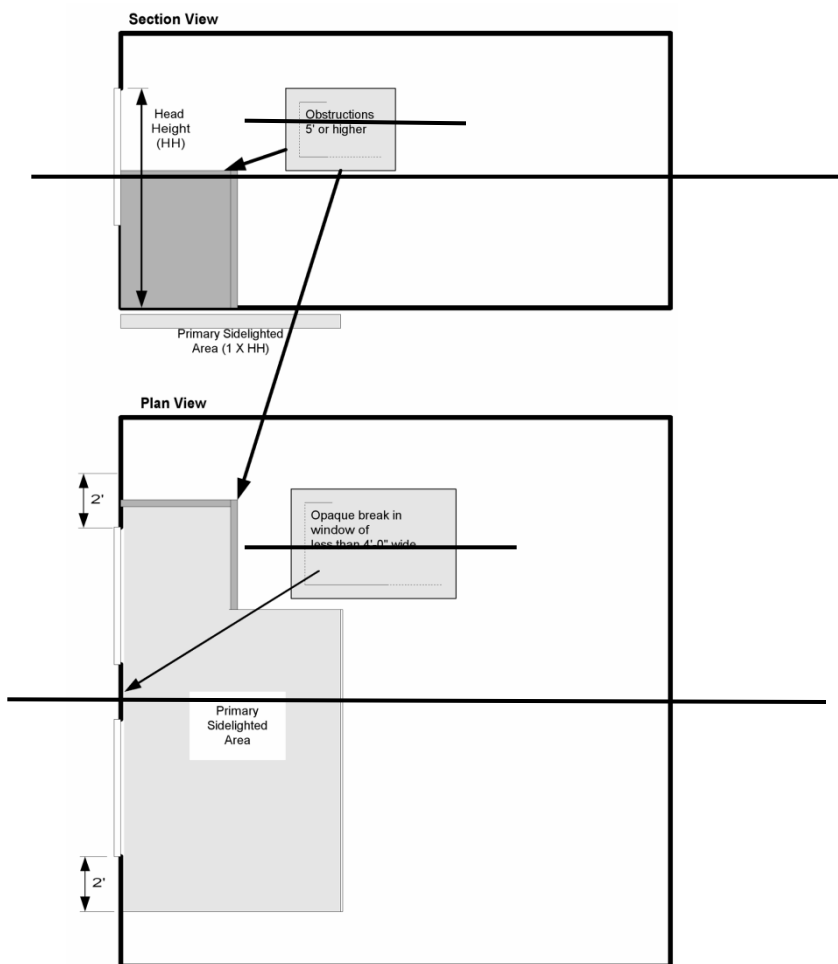
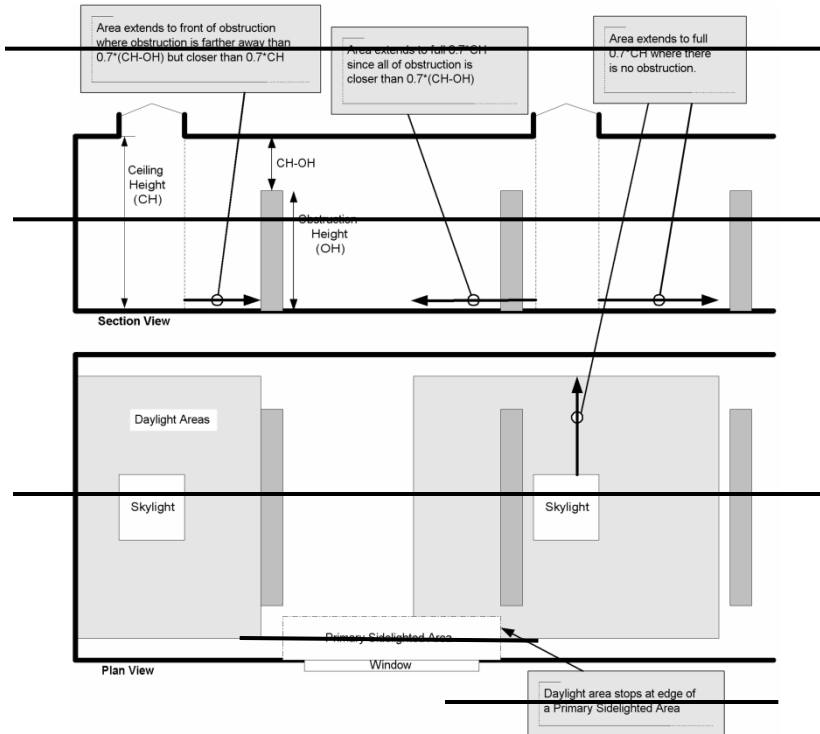


Figure 3.1 Section and plan views of primary sidelighted area.

- ~~b. *under skylights* (see Figure 3.2): The total *daylight area* under *skylights* is the combined *daylight area* without double counting overlapping areas. The *daylight area* under *skylights* is bounded by the *skylight* opening, plus horizontally in each direction, the smallest of~~

BSR/ASHRAE/USGBC/IES Addendum ag to ANSI/ASHRAE/USGBC/IES Standard 189.1-2011, Standard for the Design of High-Performance Green Buildings Except Low-Rise Residential Buildings  
First Public Review Draft.

- ~~1 70% of the ceiling height  $[0.7 \times CH]$  or~~
  - ~~2 the distance to any *daylight area* under *roof monitors* or~~
  - ~~3 the distance to the front face of any vertical obstruction where any part of the obstruction is farther away from the nearest edge of the *skylight* opening than 70% of the distance between the top of the obstruction and the ceiling  $[0.7 \times (CH - OH)]$ .~~
- where  
 $CH$  = the height of the ceiling at the lowest edge of the *skylight*  
 $OH$  = the height to the top of the obstruction

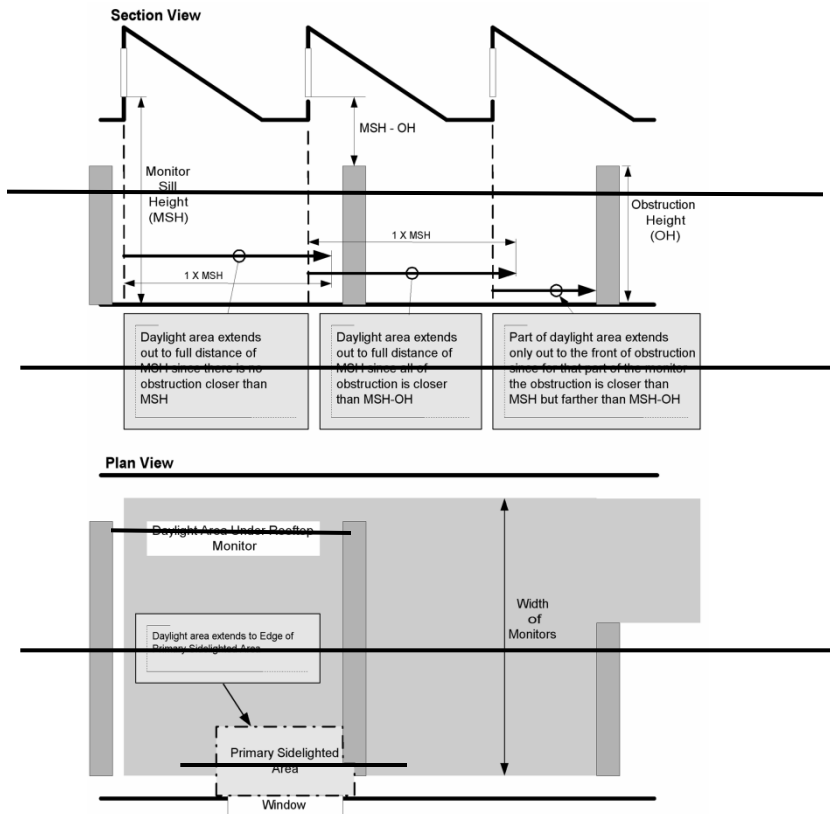


**Figure 3.2** Section and plan views of daylight area under skylight

- ~~c. **under roof monitor** (see **Figure 3.3**): The total *daylight area* under *roof monitors* is the combined *daylight area* without double counting overlapping areas. The *daylight area* under *roof monitors* is equal to the product of the width of the *vertical fenestration* above the ceiling level and the smallest of the following horizontal distances inward from the bottom edge of the glazing:~~
- ~~1. the vertical distance from the floor to the bottom edge of the monitor glazing or~~
  - ~~2. the distance to the edge of any *primary side lighting area* or~~
  - ~~3. the distance to the front face of any vertical obstruction where any part of the obstruction is farther away than the difference between obstruction height and the monitor sill height  $(MSH - OH)$ .~~



BSR/ASHRAE/USGBC/IES Addendum ag to ANSI/ASHRAE/USGBC/IES Standard 189.1-2011, Standard for the Design of High-Performance Green Buildings Except Low-Rise Residential Buildings  
 First Public Review Draft.



**Figure 3.3 Section and plan views of daylight area under roof monitor.**

***primary sidelighted area:*** see ANSI/ASHRAE/IES Standard 90.1.

***roof monitor:*** see ANSI/ASHRAE/IES Standard 90.1 a raised central portion of a roof having vertical fenestration.

# Public Review Draft

Proposed Addendum ah to Standard 189.1-2011

# Standard for the Design of High-Performance Green Buildings Except Low-Rise Residential Buildings

First Public Review (March 2013)  
(Draft Shows Proposed Changes to Current Standard)

This draft has been recommended for public review by the responsible project committee. To submit a comment on this proposed standard, go to the ASHRAE website at [www.ashrae.org/standards-research-technology/public-review-drafts](http://www.ashrae.org/standards-research-technology/public-review-drafts) and access the online comment database. The draft is subject to modification until it is approved for publication by the Board of Directors and ANSI. Until this time, the current edition of the standard (as modified by any published addenda on the ASHRAE website) remains in effect. The current edition of any standard may be purchased from the ASHRAE Online Store at [www.ashrae.org/bookstore](http://www.ashrae.org/bookstore) or by calling 404-636-8400 or 1-800-727-4723 (for orders in the U.S. or Canada).

The appearance of any technical data or editorial material in this public review document does not constitute endorsement, warranty, or guaranty by ASHRAE of any product, service, process, procedure, or design, and ASHRAE expressly disclaims such.

© 2013 ASHRAE. This draft is covered under ASHRAE copyright. Permission to reproduce or redistribute all or any part of this document must be obtained from the ASHRAE Manager of Standards, 1791 Tullie Circle, NE, Atlanta, GA 30329. Phone: 404-636-8400, Ext. 1125. Fax: 404-321-5478. E-mail: [standards.section@ashrae.org](mailto:standards.section@ashrae.org).

ASHRAE, 1791 Tullie Circle, NE, Atlanta GA 30329-2305



BSR/ASHRAE/USGBC/IES Addendum ah to ANSI/ASHRAE/USGBC/IES Standard 189.1-2011, Standard for the Design of High-Performance Green Buildings Except Low-Rise Residential Buildings  
First Public Review Draft.

**(This foreword is not part of this standard. It is merely informative and does not contain requirements necessary for conformance to the standard. It has not been processed according to the ANSI requirements for a standard and may contain material that has not been subject to public review or a consensus process. Unresolved objectors on informative material are not offered the right to appeal at ASHRAE or ANSI.)**

## **FOREWORD**

*This addendum adds some batteries and electronics to the items requiring recycling. It also adds clarity to the areas for storage and collection of recyclables and discarded goods and adds a requirement for instructions to be posted.*

*Note: In this addendum, changes to the current standard are indicated in the text by underlining (for additions) and ~~striketrough~~ (for deletions) unless the instructions specifically mention some other means of indicating the changes. Only these changes are open for review and comment at this time. Additional material is provided for context only and is not open for comment except as it relates to the proposed substantive changes.*

## **Addendum ah to 189.1-2011**

---

*Add new definitions in Section 3.2 as follows:*

**electronics:** computers and accessories, monitors, printers, and other equipment such as scanners, fax machines, electric typewriters, cell phones, telephones, answering machines, shredders, postage machines, televisions, VHS/DVD players, portable cassette/CD players with radio devices, and stereo equipment.

*Revise Section 9.3.4 as follows:*

**9.3.4 Areas for Storage and Collection of Recyclables and Discarded Goods.** Areas for recyclables and discarded goods shall be provided as described in this section. These areas shall be coordinated with the anticipated collection services to maximize the effectiveness of the dedicated areas. Instructions regarding the identification and handling of recyclables and discarded goods in these areas shall be posted in or adjacent to each dedicated area.

**9.3.4.1 Recyclables.** There shall be an area(s) that serves the entire building and is dedicated to the collection and storage of non-hazardous materials for recycling, including paper, corrugated cardboard, glass, plastics, and metals. ~~The size and functionality of the recycling areas shall be coordinated with the anticipated collection services to maximize the effectiveness of the dedicated areas.~~

**9.3.4.2 Reusable goods.** For *building projects with residential spaces*, there shall be an area that serves the entire building and is designed for the collection and storage of discarded but clean items in good condition. Charitable organizations or others to arrange for periodic pickups shall be identified and posted.

BSR/ASHRAE/USGBC/IES Addendum ah to ANSI/ASHRAE/USGBC/IES Standard 189.1-2011, Standard for the Design of High-Performance Green Buildings Except Low-Rise Residential Buildings  
First Public Review Draft.

**9.3.4.3 Fluorescent and HID Lamps and Ballasts.** An area shall be provided that serves the entire building and is designed for the collection and storage of fluorescent and HID lamps and ballasts and facilitates proper disposal and/or recycling according to ~~state and local~~ jurisdictional hazardous waste requirements.

**9.3.4.4 Electronics and Batteries.** Separate containers or areas shall be provided that serve the entire building and are designed for the collection and storage of *electronics*, alkaline batteries and rechargeable batteries and facilitate disposal or recycling according to jurisdictional requirements.

# Public Review Draft

Proposed Addendum m to Standard 189.1-2011

# Standard for the Design of High-Performance Green Buildings Except Low-Rise Residential Buildings

Second Public Review (March 2013)  
(Draft Shows Proposed Changes to Current Standard)

This draft has been recommended for public review by the responsible project committee. To submit a comment on this proposed standard, go to the ASHRAE website at [www.ashrae.org/standards-research-technology/public-review-drafts](http://www.ashrae.org/standards-research-technology/public-review-drafts) and access the online comment database. The draft is subject to modification until it is approved for publication by the Board of Directors and ANSI. Until this time, the current edition of the standard (as modified by any published addenda on the ASHRAE website) remains in effect. The current edition of any standard may be purchased from the ASHRAE Online Store at [www.ashrae.org/bookstore](http://www.ashrae.org/bookstore) or by calling 404-636-8400 or 1-800-727-4723 (for orders in the U.S. or Canada).

The appearance of any technical data or editorial material in this public review document does not constitute endorsement, warranty, or guaranty by ASHRAE of any product, service, process, procedure, or design, and ASHRAE expressly disclaims such.

© 2013 ASHRAE. This draft is covered under ASHRAE copyright. Permission to reproduce or redistribute all or any part of this document must be obtained from the ASHRAE Manager of Standards, 1791 Tullie Circle, NE, Atlanta, GA 30329. Phone: 404-636-8400, Ext. 1125. Fax: 404-321-5478. E-mail: [standards.section@ashrae.org](mailto:standards.section@ashrae.org).

ASHRAE, 1791 Tullie Circle, NE, Atlanta GA 30329-2305



BSR/ASHRAE/USGBC/IES Addendum m to ANSI/ASHRAE/USGBC/IES Standard 189.1-2011, Standard for the Design of High-Performance Green Buildings Except Low-Rise Residential Buildings  
Second Public Review Draft.

## FOREWORD

*This addendum adds lighting quality requirements to the Indoor Environmental Quality section of Standard 189.1, recognizing that following good lighting practices is part of creating a high-performance building where occupants will be productive, comfortable, safe, and healthy. Control of lighting to suit individual or group needs, in particular, has been shown to increase comfort, satisfaction, and productivity of the people in the space. Likewise, the productivity, and therefore the long term sustainability of an enterprise, suffers when presentation lighting cannot be controlled to the correct level and uniformity of illuminance. While energy savings may very well be a side result of these provisions, they are specifically written to enhance the lighting quality of the subject spaces. Note that users have the option to comply with the prescriptive 8.4 requirements OR the performance 8.5 requirements.*

*Note to Reviewers: This public review draft makes proposed independent substantive changes to the previous public review draft. These changes are indicated in the text by underlining (for additions) and ~~striketrough~~ (for deletions) except where the reviewer instructions specifically describe some other means of showing the changes. Only these changes to the previous draft are open for review and comment at this time. Additional material is provided for context only and is not open for comment except as it relates to the proposed substantive changes.*

### Addendum m to 189.1-2011

---

Add to Section 3.2 Definitions:

**bi-level lighting control:** lighting control in a *space* that provides at least one intermediate level of lighting power in addition to fully on and fully off. Continuous dimming systems are covered by this definition.

**Lighting quality:** the degree to which the luminous environment in a *space* supports the requirements of the occupants.

**Multi-level lighting control:** lighting control in a *space* that provides at least two intermediate levels of lighting power in addition to fully on and fully off. Continuous dimming systems are covered by this definition.

**space.** See ANSI/ASHRAE/IES 90.1 definition.

**task lighting.** See ANSI/ASHRAE/IES 90.1 definition.

Modify Section 8.1 as follows:

**8.1 Scope.** This section specifies requirements for indoor environmental quality, including indoor air quality, environmental tobacco smoke control, *outdoor air* delivery monitoring, thermal comfort, *building entrances*, acoustic control, lighting quality, daylighting, and low emitting materials.

Add the following new mandatory section:

**8.3.6 Lighting Quality.** The interior lighting and lighting controls shall be installed to meet the requirements of 8.3.6.1 and 8.3.6.2.

BSR/ASHRAE/USGBC/IES Addendum m to ANSI/ASHRAE/USGBC/IES Standard 189.1-2011, Standard for the Design of High-Performance Green Buildings Except Low-Rise Residential Buildings  
Second Public Review Draft.

**8.3.6.1 Enclosed Office Spaces.** Lighting for at least 90% of enclosed office spaces with less than 250 sq.ft of floor area shall comply with at least one of the following:

- a. provide multi-level lighting control, or
- b. provide bi-level lighting control and separate task lighting.

**8.3.6.2 Multi-occupant Spaces.** Lighting for conference rooms, meeting rooms, multipurpose rooms, gymnasiums, auditoriums, ballrooms, cafeterias, classrooms and other training or lecture rooms shall be provided with multi-level lighting control. Lighting settings or the lighting controlled by each manual control shall be labeled at the control device(s). The lighting in gymnasiums, auditoriums, ballrooms and cafeterias shall also consist of at least two separately controlled groups of luminaires.

*Add the following new prescriptive section:*

**8.4.3 Lighting for Presentations.** Luminaires that are located entirely or partially within 3 feet horizontally of any permanently installed presentation surfaces including whiteboards, blackboards, chalkboards and screens for projection units shall be controlled separately from all other luminaires in the space and be capable of being turned off. Control settings for these luminaires shall be labeled at the control device. At least one luminaire shall be located entirely or partially within 3 feet horizontally of each permanently installed whiteboard, blackboard, or chalkboard that is not self-illuminated.

*Add the following new performance section:*

**8.5.3 Lighting for Presentations.** Lighting systems shall be provided and shall be controllable by the occupant(s) so as to meet the illuminance and uniformity requirements specified in items a. through c. for each permanently installed presentation system. Lighting control settings required to meet each of the specified levels shall be labeled at the control device.

- a. Lighting system and controls shall be capable of illuminating permanently installed white boards to at least an average of 300 lux vertical illuminance and the ratio of average-to-minimum illuminance over the full area of the whiteboard shall be equal to or less than 3:1.
- b. Lighting system and controls shall be capable of illuminating permanently installed screens for front-screen projection units to no greater than 50 lux vertical illuminance and the ratio of maximum-to-average illuminance over the full area of the projection screen shall be equal to or less than 2:1. Compliance with this provision shall not be met by turning off all the luminaires in the space.
- c. Lighting system and controls shall be capable of illuminating permanently installed screens for rear-screen projection units at a level no greater than 150 lux vertical illuminance and the ratio of maximum-to-average illuminance over the full area of the projection screen shall be equal to or less than 2:1. Compliance with this provision shall not be met by turning off all the luminaires in the space.

# Public Review Draft

Proposed Addendum w to Standard 189.1-2011

# Standard for the Design of High-Performance Green Buildings Except Low-Rise Residential Buildings

First Public Review (March 2013)  
(Draft Shows Proposed Changes to Current Standard)

This draft has been recommended for public review by the responsible project committee. To submit a comment on this proposed standard, go to the ASHRAE website at [www.ashrae.org/standards-research-technology/public-review-drafts](http://www.ashrae.org/standards-research-technology/public-review-drafts) and access the online comment database. The draft is subject to modification until it is approved for publication by the Board of Directors and ANSI. Until this time, the current edition of the standard (as modified by any published addenda on the ASHRAE website) remains in effect. The current edition of any standard may be purchased from the ASHRAE Online Store at [www.ashrae.org/bookstore](http://www.ashrae.org/bookstore) or by calling 404-636-8400 or 1-800-727-4723 (for orders in the U.S. or Canada).

The appearance of any technical data or editorial material in this public review document does not constitute endorsement, warranty, or guaranty by ASHRAE of any product, service, process, procedure, or design, and ASHRAE expressly disclaims such.

© 2013 ASHRAE. This draft is covered under ASHRAE copyright. Permission to reproduce or redistribute all or any part of this document must be obtained from the ASHRAE Manager of Standards, 1791 Tullie Circle, NE, Atlanta, GA 30329. Phone: 404-636-8400, Ext. 1125. Fax: 404-321-5478. E-mail: [standards.section@ashrae.org](mailto:standards.section@ashrae.org).

ASHRAE, 1791 Tullie Circle, NE, Atlanta GA 30329-2305





BSR/ASHRAE/USGBC/IES Addendum w to ANSI/ASHRAE/USGBC/IES Standard 189.1-2011, Standard for the Design of High-Performance Green Buildings Except Low-Rise Residential Buildings  
First Public Review Draft.

**(This foreword is not part of this standard. It is merely informative and does not contain requirements necessary for conformance to the standard. It has not been processed according to the ANSI requirements for a standard and may contain material that has not been subject to public review or a consensus process. Unresolved objectors on informative material are not offered the right to appeal at ASHRAE or ANSI.)**

## FOREWORD

*This addendum provides specific bicycle parking design requirements. Bicycle commuting requires far less infrastructure for roads and parking lots which in turn reduces stormwater runoff, mitigate heat island effect and preserves green space. Since bicycles are used primarily for short commuting trips, they help reduce a significant portion of vehicle emissions that occur during the first few minutes of vehicle driving. Bicycle commuting produces no emissions, has zero demand for petroleum-based fuels, relieves traffic congestion and reduces noise pollution. Bicycling is ranked among the top three exercises for improving cardiovascular fitness and is on the rise around the country. The New York City Dept. of Transportation's annual bicycle count into Manhattan indicate that cycling has grown by 116% between 2000 and 2008, including a 35% increase from 2007 to 2008. Establishing bicycling parking will accommodate greater bicycle use and therefore reduce the environmental impacts associated with vehicles.*

**Note: In this addendum, changes to the current standard are indicated in the text by underlining (for additions) and ~~strikethrough~~ (for deletions) unless the instructions specifically mention some other means of indicating the changes. Only these changes are open for review and comment at this time. Additional material is provided for context only and is not open for comment except as it relates to the proposed substantive changes.**

## Addendum w to 189.1-2011

---

*Add new definition as follows:*

**occupant load:** The number of persons for which the means of egress of a building or portion thereof is designed.

*Add new Section 5.3.5.2 as follows:*

### **5.3.5.2 Bicycle Parking.**

**5.3.5.2.1 Minimum Number of Spaces.** Bicycle parking spaces shall be provided for at least 5 percent of the *occupant load* of each building but not less than two parking spaces. Occupants who are non-ambulatory, under restraint or under custodial care need not be included in the total occupant load for the building. Building projects with dwelling units shall be provided with at least 0.5 bicycle parking spaces per bedroom for each building but not less than two parking spaces.

#### **Exceptions:**

1. Building projects with dwelling units that provide each unit with a private garage or private locked storage space of sufficient size to store a bicycle.

BSR/ASHRAE/USGBC/IES Addendum w to ANSI/ASHRAE/USGBC/IES Standard 189.1-2011, Standard for the Design of High-Performance Green Buildings Except Low-Rise Residential Buildings  
First Public Review Draft.

2. Subject to the approval of the AHJ, the number of bicycle parking spaces shall be permitted to be reduced because of building project characteristics.

**5.3.5.2.2 Location.** The bicycle parking area(s) shall be located inside the building or the nearest point of the bicycle parking area(s) shall be within 50 feet (15.2 m) of the building entrance being served. Bicycle parking shall not obstruct pedestrian access to the building.

**5.3.5.2.3 Horizontal Parking Racks.** Horizontal bicycle parking racks shall be not less than 36 inches (610 mm) apart based on center line dimensions. The distance between rows of racks shall be at least 72 inches (1829 mm) measured between rack ends. There shall be not less than 36 inches (914 mm) between rack ends and any fixed obstruction.

**5.3.5.2.4 Ability to Lock.** Each bicycle parking space shall be provided with a securely mounted rack or other facilities for locking or securing a bicycle. A rack shall allow the locking of the frame of the bicycle to the rack with at least two points of contact between the bicycle and rack.

**5.3.5.2.5 Security and Visibility.** All bicycle parking spaces shall be: visible from the entrance being served; secured in a locker, cage or room; or provided with valet service or security cameras. Signage shall be provided to identify parking that is not visible from the building entrance.

**5.3.5.2.6 Documentation.** Construction documents shall include plans and details of that prescribed in 5.3.5.2.1 through 5.3.5.2.6.

**ANSI/OPEI B175.2-2012**  
Revision and redesignation of  
ANSI B175.2-2000 (R2005)

American National Standard  
for Outdoor Power Equipment –

**Internal Combustion Engine-Powered  
Handheld and Backpack Blowers  
and Blower-Vacuums –  
Safety Requirements and  
Performance Testing Procedures**

Sponsor:

**Outdoor Power Equipment Institute**

Approved: May 23, 2012

**American National Standards Institute, Inc.**

Publication: September 10, 2012

---

American National Standard  
for Outdoor Power Equipment –

# Internal Combustion Engine-Powered Handheld and Backpack Blowers and Blower-Vacuums – Safety Requirements and Performance Testing Procedures

## 1 Scope and Purpose

### 1.1 Scope

The requirements of this standard apply to handheld and backpack internal combustion engine-powered blowers and blower-vacuums. This standard does not apply to ride-on, towed, or walk-behind units. This standard does not apply to electrically powered units.

~~This standard shall become effective one year after it is published. The effective implementation date of this standard shall be two (2) years after the publication date and shall apply to all products built after that date. Manufacturers may also certify to or meet the requirements of this standard anytime after the publication date.~~

NOTE – The units in this standard are given in metric. English units are included in parenthesis for information only.

### 1.2 Purpose

The purpose of this standard is to establish manufacturer requirements to reduce the risk of injury associated with the use of handheld and backpack internal combustion engine-powered blowers and blower-vacuums. This standard may also be used to measure bystander sound pressure levels at 15 meters (50 feet).

## 2 Normative References

The following standards contain provisions which, through reference in this text, constitute provisions of this American National Standard. At the time of publication, the editions indicated were valid. All standards are subject to revision, and parties to agreements based on this American National Standard are encouraged to investigate the possibility of applying the most recent editions of the standards indicated below.

ANSI/ASSE Z87.1-2003, *Practice for Occupational and Educational Personal Eye and Face Protection Devices*

## 4 Requirements

### 4.1 Guards

To ensure the safety against contact, power driven components (see 4.1.1) and hot surfaces (see 4.1.2) shall be guarded or located so that the operator will not inadvertently contact them when starting or during normal operation of the unit as described in the operator's manual. The verification of guards shall be carried out on a complete machine assembled in accordance to the operator's manual.

#### 4.1.1 Power Driven Components

Guards of power driven components shall meet criteria by design as specified in 4.2 and criteria by strength and rigidity as specified in 4.3.

The opening or removal of the guards shall require the use of tools, or the unit shall come equipped with an engine shut-off system that will activate when the guard is opened or removed.

#### 4.1.2 Hot Surfaces

The cylinder and the parts in direct contact with the cylinder or the muffler shall be protected against inadvertent contact during normal operation of the unit in accordance with the manufacturer's recommendations.

Any accessible metallic surface of the machine that has a temperature of over 80°C (176°F), or an accessible plastic part that has a temperature of over 94°C (201°F), shall be considered a hot surface. Such hot surfaces shall be considered accessible if the contactable area exceeds 10 cm<sup>2</sup> (1.55 in<sup>2</sup>) when probed with the tet cone shown in Figure 10.

NOTE – The exhaust pipe (outlet) is not considered a surface that is intentionally or inadvertently contacted during normal operation. These surfaces may be covered by the requirements of SAE J335.

Guards of hot surfaces shall meet criteria by design as specified in 4.2.

### 4.2 Probe Test

#### 4.2.1 Probe Test for Power Driven Components

The probe specified in Figure 8 shall be applied to any opening and if it can be inserted, shall be inserted to a maximum distance of 850 mm using  $10 \pm 2$  Newtons ( $2.25 \pm 0.45$  lbf) of force after inserting the probe into the opening. Contact with any moving or hot part is not allowed. The probe shall be manufactured to enable a rotation of  $\pm 90^\circ$  about the articulation axis. The movements of the joints of the probe shall be free enough to allow easy

articulation as the probe is inserted into the opening.

Access points evaluated shall include the blower intake and discharge. If the pipe(s) can be removed without use of tools and does not have an engine shut-off system, then the pipe shall be removed for the test.

#### **4.2.2 Probe Test for Hot Surfaces**

The protection against contact shall be verified by determining the area accessible, as follows:

Conduct the temperature test in the shade and with a maximum wind speed of 3m/s (7 mph). Operate the engine by cycling for five (5) seconds at idling speed and five (5) seconds at racing speed until the surface temperatures stabilize. Identify the hot surface area or areas.

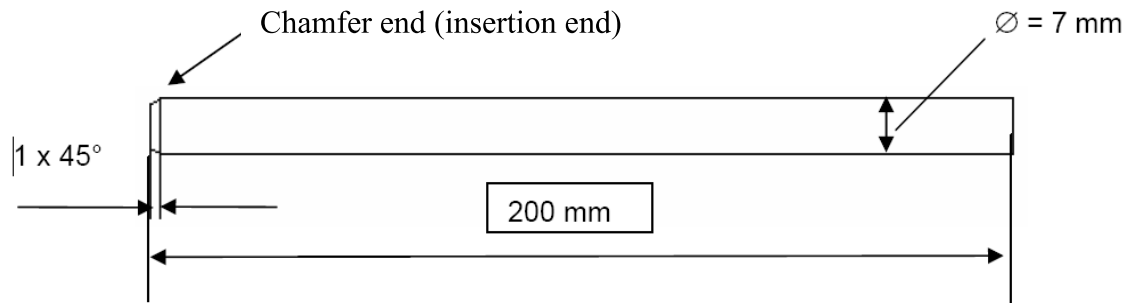
Determine temperatures using temperature-measuring equipment with an accuracy of  $\pm 2^{\circ}\text{C}$  ( $36^{\circ}\text{F}$ ). If the test is conducted at an ambient temperature outside of the nominal  $20^{\circ}\text{C} \pm 3^{\circ}\text{C}$  ( $68^{\circ}\text{F} \pm 37^{\circ}\text{F}$ ), the recorded temperatures shall be corrected using the formula:  $\text{TC} = \text{TO} - \text{TA} + 20^{\circ}\text{C}$  ( $68^{\circ}\text{F}$ ), where:

TC is the corrected temperature in degrees Celsius ( $^{\circ}\text{C}$ ) (Fahrenheit [ $^{\circ}\text{F}$ ])

TO is the observed temperature in degrees Celsius ( $^{\circ}\text{C}$ ) (Fahrenheit [ $^{\circ}\text{F}$ ])

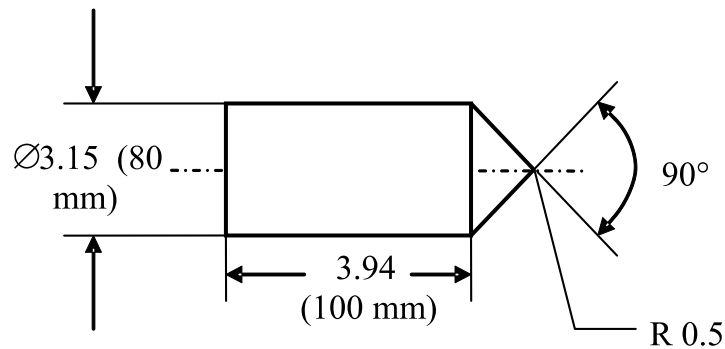
TA is the ambient temperature in degrees Celsius ( $^{\circ}\text{C}$ ) (Fahrenheit [ $^{\circ}\text{F}$ ]).

Allow the power source to cool before using the cone. It is not necessary to test the accessibility of hot parts while they are hot. Apply the test cone shown in Figure 10 in any direction and with a maximum force of 10 N +0/-1 N (2.25 lbf +0/-0.23 lbf). When moving the cone, determine whether there is any contact between the hot surface area or areas and the cone's tip or the conical surface.



NOTE – The probe shall be made of a PA6 nylon material (without glass reinforcement). The probe represents branches in the working environment that might come into contact to the machine and might go into the openings of the machine.

**Figure 9—Probe for Fuel Line Testing**



**Figure 10—Probe for Hot Surfaces Contact Test**

Lines that are not exposed to direct sunlight, metallic, or FKM-grade rubber (i.e., Viton) material lines are exempted from this test.

## **D.2 Fuel Tank Integrity**

### **D.2.1 Fuel Resistance**

The fuel tank shall be filled with IE10 fuel (Indolene fuel (General Testing Fuel according to 40CFR1065.710) splash blended with 10% ethanol) for 168 hours. The ambient temperature for the soak period shall be  $40^{\circ}\text{C} \pm 5^{\circ}\text{C}$  ( $104^{\circ}\text{F} \pm 9^{\circ}\text{F}$ ). The tank shall be emptied of the fuel and allowed to air dry at  $80^{\circ}\text{C}$  ( $176^{\circ}\text{F}$ ) for 4 hours. The tank shall have no cracks or leaks develop. The cap and sealing gasket for the fuel tank shall be installed for the test.

For tanks utilizing the same material, color, manufacturing process and thickness, the manufacturer may select a single tank to represent all tanks when conducting this test. The tank test shall have the largest internal surface area per volume ratio of the family.

### **D.2.2 UV Resistance**

Perform a sunlight-exposure test by exposing all surfaces of the tank to an ultraviolet light of at least  $24 \text{ W/m}^2$  or natural sunlight on the tank surface for at least 450 hours.

No surface cracking shall be visible with the naked eye after the UV exposure test.

Tank surfaces that are not exposed to direct sunlight, metallic tanks, and tanks made of polyamide materials (or polyamide with a maximum of 35% glass) are exempted from this test. For tanks utilizing the same material, color, manufacturing process and thickness, the manufacturer may select a single tank to represent all tanks when conducting this test.



## **BSR/UL 1066, Standard for Safety for Low-Voltage AC and DC Power Circuit Breakers Used in Enclosures**

### **1. Revision to Include Four Pole Circuit Breakers to the Scope**

1.1 These requirements cover low-voltage ac power circuit breakers as follows:

- a) Stationary-mounted or drawout-mounted types,
- b) 2-pole, and 3-pole, and 4-pole constructions,
- c) Manually operated or power operated, and
- d) With or without electromechanical or solid-state type trip device.

**UL copyrighted material. Not authorized for further reproduction without prior permission from UL.**

**BSR/UL 1081, Standard for Safety for Swimming Pool Pumps, Filters, and Chlorinators**

## 1. Update to Important Safety Instructions

52.5 Unless otherwise indicated, the instructions shall be in the exact words specified or shall be in equally definitive terminology to the following items. No substitutes shall be used for the words "WARNING" and "CAUTION." The items may be numbered. The first and last items specified below shall be first and last respectively. Other important and precautionary items determined appropriate by the manufacturer may be inserted. Notes to the manufacturer are in parentheses.

**IMPORTANT SAFETY INSTRUCTIONS**

When installing and using this electrical equipment, basic safety precautions should always be followed, including the following:

- 1) READ AND FOLLOW ALL INSTRUCTIONS
- 2) (For all units) WARNING - To reduce the risk of injury, do not permit children to use this product unless they are closely supervised at all times.
- 3) (For storable pool pumps) WARNING - Risk of Electric Shock. Connect only to a grounding type receptacle. This product is provided with a ground-fault circuit-interrupter. If replacement of the plug or cord is needed, use only identical replacement parts.
- 4) (For all permanently-installed units intended for use on 15 or 20 ampere, 125 through 240 volt, single phase branch circuits) WARNING - Risk of Electric Shock. Connect only to a branch circuit protected by a ground-fault circuit-interrupter (GFCI). Contact a qualified electrician if you cannot verify that the circuit is protected by a GFCI.
- 5) Deleted March 31, 2010.
- 6) Deleted March 31, 2010.
- 7) (For all permanently installed units intended for use on 15 or 20 ampere, 125 through 240 volt, single phase branch circuits) The unit must be connected only to a supply circuit that is protected by a ground-fault circuit-interrupter (GFCI). Such a GFCI should be provided by the installer and should be tested on a routine basis. To test the GFCI, push the test button. The GFCI should interrupt power. Push the reset button. Power should be restored. If the GFCI fails to operate in this manner, the GFCI is defective. If the GFCI interrupts power to the pump without the test button being pushed, a ground current is flowing, indicating the possibility of an electric shock. Do not use this pump. Disconnect the pump and have the problem corrected by a qualified service representative before using.
- 8) (For storable pool pumps) The unit is provided with a ground-fault circuit-interrupter (GFCI). To test the GFCI, push the test button. The GFCI should interrupt power. Push the reset button. Power should be restored. If the GFCI fails to operate in this manner, the GFCI is defective. If the GFCI interrupts power to the pump without the test button being pushed, a ground current is flowing, indicating the possibility of an electric shock. Do not use this pump. Disconnect the pump and have the problem corrected by a qualified service representative before using.
- 8A) (For storable pools pumps) CAUTION - To reduce the risk of electric shock the pool must be installed no closer than 6 feet (1.8 m) from any electrical outlet. Do not place portable appliances closer than 5 feet (1.5 m) from the pool.

UL copyrighted material. Not authorized for further reproduction without prior permission from UL.

9) (For units intended for above-ground storable swimming pools) Do not bury cord. Locate cord to minimize abuse from lawn mowers, hedge trimmers, and other equipment.

10) (For all cord- and plug-connected units) WARNING - To reduce the risk of electric shock, replace damaged cord immediately.

11) (For units intended for above-ground storable swimming pools) WARNING - To reduce the risk of electric shock, do not use extension cord to connect unit to electric supply; provide a properly located outlet.

12) (For units intended for above-ground storable swimming pools) CAUTION - This pump is for use with storable pools only. Do not use with permanently-installed pools. A storable pool is constructed so that it is capable of being readily disassembled for storage and reassembled to its original integrity. A permanently-installed pool is constructed in or on the ground or in a building such that it cannot be readily disassembled for storage.

13) (For swimming pool pumps intended for use with permanent swimming pools or spas) CAUTION - This pump is for use with permanently-installed pools and may also be used with hot tubs and spas if so marked. Do not use with storable pools. A permanently-installed pool is constructed in or on the ground or in a building such that it cannot be readily disassembled for storage. A storable pool is constructed so that it is capable of being readily disassembled for storage and reassembled to its original integrity.

14) (For hot tub and spa pumps) Do not install within an outer enclosure or beneath the skirt of a hot tub or spa.

15) SAVE THESE INSTRUCTIONS.

**UL copyrighted material. Not authorized for further reproduction without prior permission from UL.**